



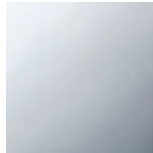
Sink - Tara.

Single-hole lavatory mixer with drain - polished chrome

Article number: 22 513 892-00 0010



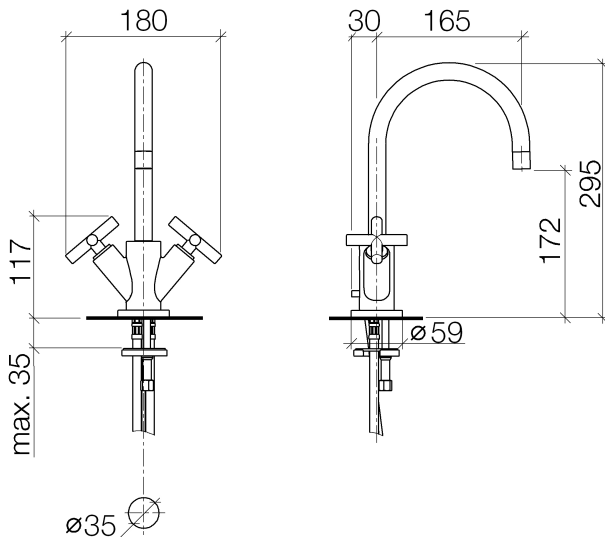
- 6-1/2" Projection
- US drain with overflow
- Swiveling spout 360°
- Round aerated stream
- Total height 11-5/8"
- Height to aerator/spout outlet 6-3/4"
- 1-3/8" hole diameter
- Flange diameter 2-3/8"
- 2x 3/8" US flexible supply lines
- Water flow rate limited to max. 1.2 gpm
- lead-free



polished chrome



Dimensional drawing





Sink - Tara.

Single-hole lavatory mixer with drain - polished chrome

Article number: 22 513 892-00 0010

All dimensions in mm / inch = mm x 0,0394

Flow rate chart





Sink - Tara.

Single-hole lavatory mixer with drain - polished chrome

Article number: 22 513 892-00 0010

Other surface finishes



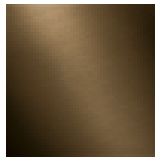
platinum matte

22 513 892-06 0010



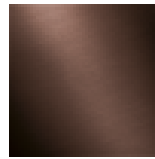
platinum

22 513 892-08 0010



Dark Brass matte

22 513 892-16 0010



Dark Bronze matte

22 513 892-17 0010



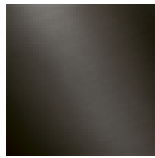
black matte

22 513 892-33 0010



Cyprum

22 513 892-49 0010



Dark Platinum matte

22 513 892-99 0010

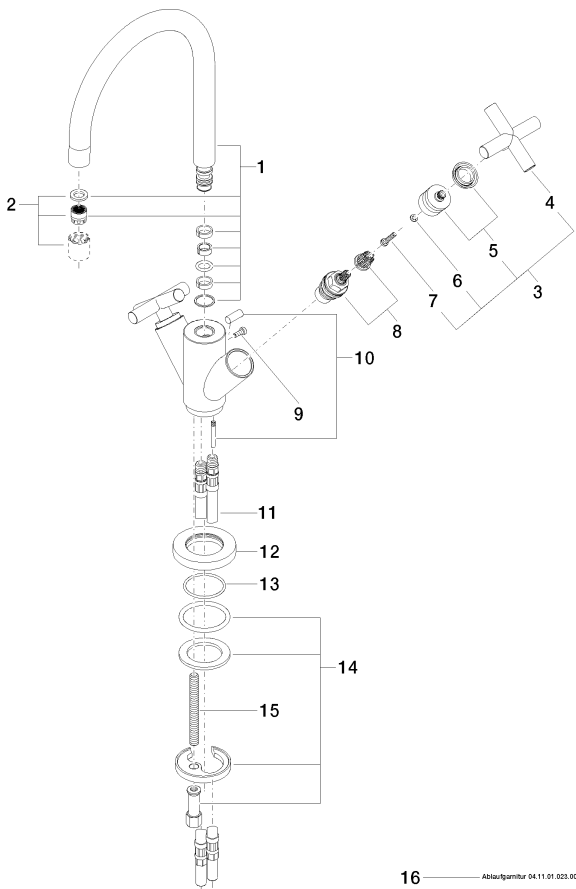
More custom finish options are available via special production (xTra Service). Please see our finish matrix for availability and pricing or contact a Dornbracht representative.

Sink - Tara.

Single-hole lavatory mixer with drain - polished chrome

Article number: 22 513 892-00 0010

Spare parts list



Number	Item Number	Designation	Number of units
1	90 28 22 213 02-00	Outlet - polished chrome	1
2	90 23 01 028 04-00	Aerator - polished chrome	1
3	04 20 89 010 00-00	Handle - polished chrome	2
4	09 20 89 010-00	Handle - polished chrome	2
5	90 12 12 007 00-00	Handle - polished chrome	2
6	09 30 11 029 90	Wall connection -	2
7	09 30 30 075 90	Mounting bracket -	2
8	90 90 03 151 00 90	Ceramic cartridge clockwise-closing -	2
9	09 30 30 054 90	Mounting bracket -	1
10	04 20 89 035 80-00	Pivot rod/lift knob - polished chrome	1
11	04 30 04 045 00 90	Flexible supply line 3/8" -	2
12	09 28 10 132-00	Escutcheon - polished chrome	1
13	09 14 10 134 90	Washer -	1
14	04 30 11 038 00 90	Mounting bracket -	1
15	09 31 11 011 90	Mounting bracket -	1
16	04 11 01 023 00-00	Drain - polished chrome	1

16 Ablaufgarnitur 04.11.01.023.00-F