



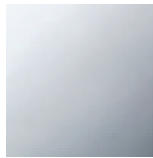
## Bathtub -

Tub mixer for wall-mounted installation with hand shower set - polished chrome

Article number: 25 133 892-00 0010



- 9-1/2" Projection
- Spout: Round aerated stream
- Hand shower set: Standard spray
- Hand shower set with anti-scale technology
- Tub / shower diverter
- Flanges Ø 2-1/2"
- Wall bracket with flange Ø 2"
- 1/2" connection
- Center to center 5-7/8" ± 6"
- Metal shower hose 49-1/4" with anti-twist device
- Water flow rate limited to max. gpm
- Handshower flow rate max. 2.4 gpm
- NOTE: Local building codes may require the use of an anti-scald device. Please refer to remote pressure balance valve (35 910 970 90)
- Internal backflow preventer.
- Combination with risers possible on request (x-TRA SERVICE).



polished chrome

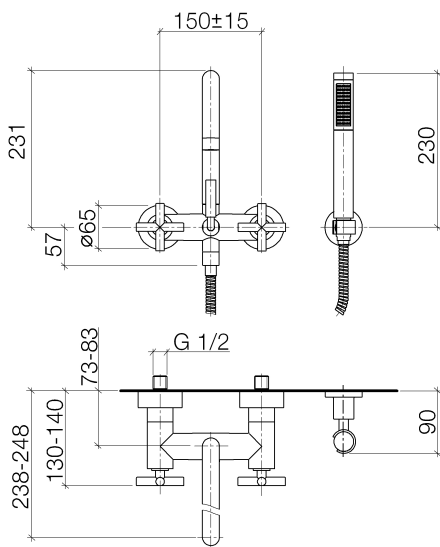


## Bathtub -

Tub mixer for wall-mounted installation with hand shower set - polished chrome

Article number: 25 133 892-00 0010

## Dimensional drawing



All dimensions in mm / inch = mm x 0,0394



**Bathtub -**

**Tub mixer for wall-mounted installation with hand shower set - polished chrome**

Article number: 25 133 892-00 0010

**Other surface finishes**



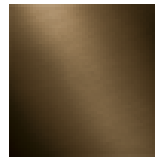
polished chrome  
25 133 892-00



platinum matte  
25 133 892-06



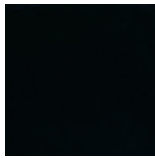
platinum  
25 133 892-08



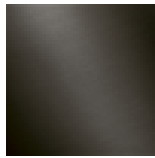
Dark Brass matte  
25 133 892-16



Dark Bronze matte  
25 133 892-17



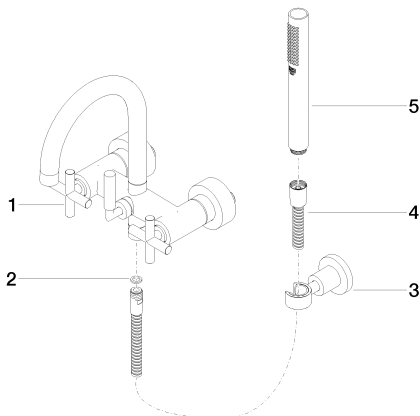
black matte  
25 133 892-33



Dark Platinum matte  
25 133 892-99

More custom finish options are available via special production (xTra Service). Please see our finish matrix for availability and pricing or contact a Dornbracht representative.

**Spare parts list**



Number	Item Number	Designation	Number of units
1	25 100 892-00	Tub mixer for wall-mounted installation - polished chrome	1
2	09 14 20 026 90	Washer -	1
3	28 050 892-00	Wall bracket - polished chrome	1
4	09 30 02 072-00	Metal shower hose 1/2" x 3/8" x 49-1/4" - polished chrome	1
5	28 013 979-00 0010	Baton hand shower - polished chrome	1