

Bathtub - Madison

Two-hole tub mixer for freestanding installation with hand shower set - polished chrome

Article number: 25 943 360-00



- 9-5/8" Projection
- Spout: Rectangular aerator
- Hand shower: Standard spray
- Hand shower with descaling system
- Tub / shower diverter
- Hand shower bracket
- Total height 35-1/2"
- Riser height 28-3/4"
- Height to aerator/spout outlet 24"
- Flanges Ø 3-1/2"
- Center to center 6"
- Metal shower hose 49-1/4" with anti-twist device
- Water flow rate limited to max. 13.5 gpm
- Hand shower water flow rate limited to max. 1.8 gpm
- NOTE: Local building codes may require the use of an anti-scald device. Please refer to remote pressure balance valve (35 910 970 90)
- Internal backflow preventer.



polished chrome

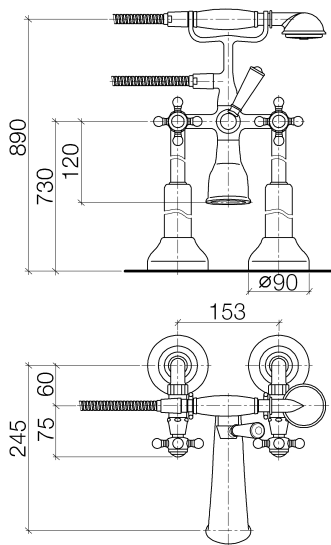
Accessory is required for this item.

Bathtub - Madison

Two-hole tub mixer for freestanding installation with hand shower set - polished chrome

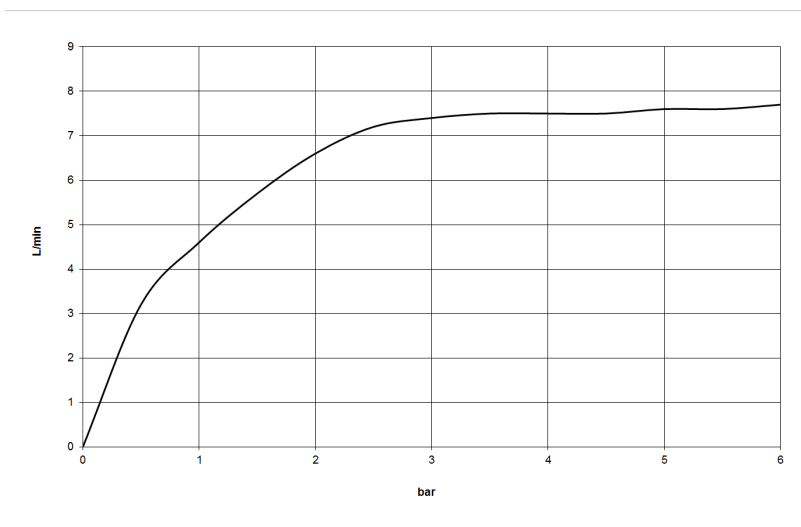
Article number: 25 943 360-00

Dimensional drawing



All dimensions in mm / inch = mm x 0,0394

Flow rate chart





Bathtub - Madison

Two-hole tub mixer for freestanding installation with hand shower set - polished chrome

Article number: 25 943 360-00

Other surface finishes



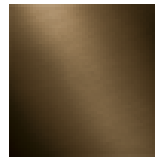
platinum matte
25 943 360-06



platinum
25 943 360-08



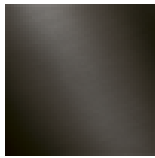
Durabrass
25 943 360-09



Dark Brass matte
25 943 360-16



Dark Bronze matte
25 943 360-17



Dark Platinum matte
25 943 360-99

More custom finish options are available via special production (xTra Service). Please see our finish matrix for availability and pricing or contact a Dornbracht representative.

Required article



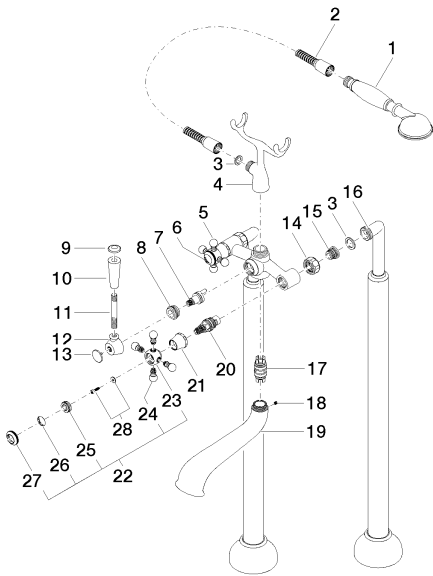
35 944 970-90 0010
Floor mounting rough set -

Spare parts list

Bathtub - Madison

Two-hole tub mixer for freestanding installation with hand shower set - polished chrome

Article number: 25 943 360-00



Number	Item Number	Designation	Number of units
1	28 002 970-00	Metal hand shower with porcelain (white) handle - polished chrome	1
2	28 104 970-00	Metal shower hose 1/2" x 1/2" x 49-1/4" - polished chrome	1
3	09 14 20 002 90	Washer -	1
4	04 17 20 010 00-00	Holder - polished chrome	1
5	04 20 36 002 07-00	Handle - polished chrome	1
6	09 26 01 011 90	Cover -	1
7	04 15 01 001 00 90	Conversion -	1
8	09 23 10 007 90	Mounting bracket -	1
9	09 30 30 062-00	Cover - polished chrome	1
10	11 170 370-00	Lever insert - polished chrome	1
11	09 28 22 013 90	Mounting bracket -	1
12	09 18 20 011-00	Connecting piece - polished chrome	1
13	09 30 30 064-00	Cover - polished chrome	1
14	09 23 30 010-00	Mounting bracket - polished chrome	2
15	04 29 05 014 00 90	Wall connection -	2
16	12 943 360-00	Wall connection - polished chrome	1
17	04 21 10 010 00 90	Conversion -	1
18	09 31 11 030 90	Mounting bracket -	1
19	13 592 380-00	Outlet - polished chrome	1
20	90 90 03 131 00 90	Ceramic cartridge clockwise-closing -	2
21	09 21 02 055-00	Hood / sleeve - polished chrome	2
22	04 20 36 002 06-00	Handle - polished chrome	1
23	09 20 36 002-00	Handle - polished chrome	2
24	09 20 36 004-00	Handle - polished chrome	8
25	09 20 83 006 90	Handle -	2
26	09 26 01 010 90	Cover -	1
27	09 20 36 005-00	Handle - polished chrome	2
28	04 30 30 029 00 90	Mounting bracket -	2