



Bathtub - VAIA

Two-hole tub mixer for freestanding installation with hand shower set - platinum matte

Article number: 25 943 819-06



- 8-3/4" Projection
- Swiveling spout 360°
- Hand shower: Standard spray
- Spout: Round aerated stream
- Hand shower with descaling system
- Tub / shower diverter
- Total height 36-1/4"
- Riser height 24-3/4"
- Height to aerator/spout outlet 32-1/8"
- Flanges Ø 3-7/8"
- Center to center 5-7/8"
- Metal shower hose 49-1/4" with anti-twist device
- Hand shower to be mounted on right pillar
- Water flow rate limited to max. 6.5 gpm
- Hand shower water flow rate limited to max. 1.8 gpm
- Fittings group in compliance with DIN 4109: 1
- Internal backflow preventer.
- (ADA)
- NOTE: Local building codes may require the use of an anti-scald device. Please refer to remote pressure balance valve (35 910 970 90)



platinum matte

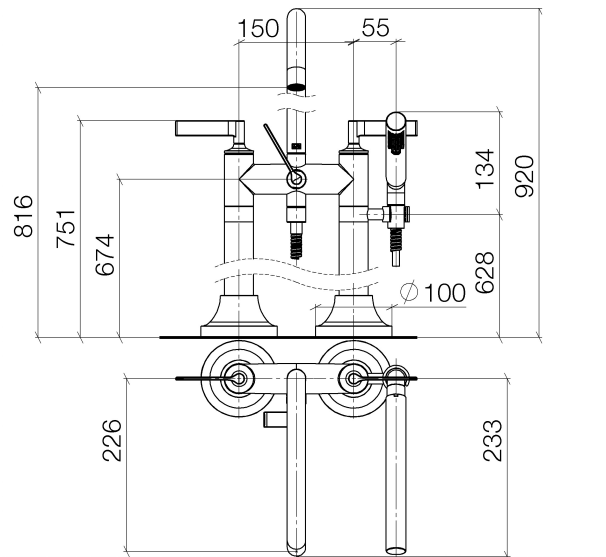
Accessory is required for this item.

Bathtub - VAIA

Two-hole tub mixer for freestanding installation with hand shower set - platinum matte

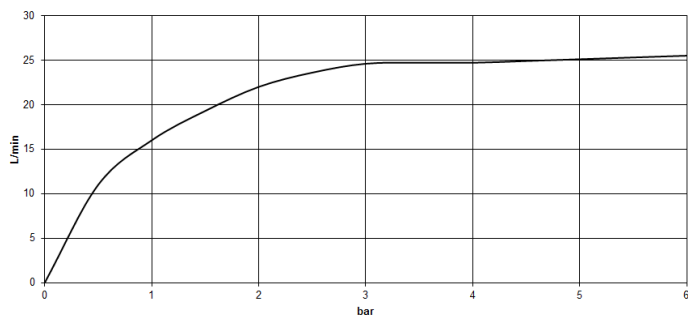
Article number: 25 943 819-06

Dimensional drawing



All dimensions in mm / inch = mm x 0,0394

Flow rate chart





Bathtub - VAIA

Two-hole tub mixer for freestanding installation with hand shower set - platinum matte

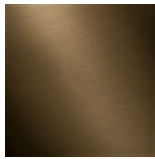
Article number: 25 943 819-06

Other surface finishes



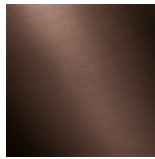
polished chrome

25 943 819-00



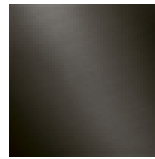
Dark Brass matte

25 943 819-16



Dark Bronze matte

25 943 819-17



Dark Platinum matte

25 943 819-99

More custom finish options are available via special production (xTra Service). Please see our finish matrix for availability and pricing or contact a Dornbracht representative.

Required article



35 944 970-90 0010

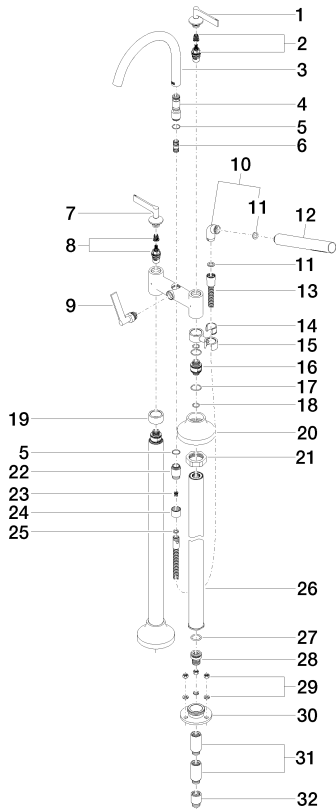
Floor mounting rough set -

Spare parts list

Bathtub - VAIA

Two-hole tub mixer for freestanding installation with hand shower set - platinum matte

Article number: 25 943 819-06



Number	Item Number	Designation	Number of units
1	90 20 80 012 01-06	Operating element - platinum matte	1
2	90 90 03 130 00 90	Ceramic cartridge counter-clockwise closing -	1
3	90 28 22 317 00-06	Outlet - platinum matte	1
4	09 24 03 273-06	Nipple - platinum matte	1
5	09 14 10 032 90	Washer -	1
6	90 21 10 011 00 90	Conversion -	1
7	90 20 80 013 01-06	handle (hot)	1
8	90 90 03 131 00 90	Ceramic cartridge clockwise-closing -	1
9	90 20 80 015 02-06	handle	1
10	04 24 04 189 00-06	Arc - platinum matte	1
11	09 14 20 002 90	Washer -	1
12	28 013 979-06	Baton hand shower - platinum matte	1
13	09 30 02 072-06	Metal shower hose 1/2" x 3/8" x 49-1/4" - platinum matte	1
14	09 18 40 035 90	Hood / sleeve -	1
15	04 28 10 029 01-06	Holder - platinum matte	1
16	09 29 05 021 20 90	Wall connection -	2
17	09 14 10 112 90	Washer -	4
18	09 14 10 055 90	Washer -	4
19	09 28 10 028-06	Escutcheon - platinum matte	1
20	90 27 80 019 00-06	rosette	2
21	09 23 30 040-07	Mounting bracket - Rough nickel-plated	2
22	09 24 03 121-06	Nipple - platinum matte	1
23	09 23 01 131 90	Application -	1
24	09 21 02 143-06	Hood / sleeve - platinum matte	1
25	09 14 20 026 90	Washer -	1
26	04 28 22 009 20-06	Wall connection - platinum matte	2
27	09 14 10 081 90	Washer -	2
28	09 24 03 094-07	Wall connection - Rough nickel-plated	2
29	04 23 10 023 00 90	Mounting bracket -	6
30	09 30 11 130-07	Mounting bracket - Rough nickel-plated	2
31	09 24 03 081 10 90	Extension -	4
32	09 24 03 080 90	Extension -	2