



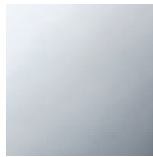
## Bathtub - LULU

Three-hole single-lever tub mixer for deck-mounted tub installation - polished chrome

Article number: 27 412 710-00



- 8-1/2" Projection
- Spout: Round aerated stream
- Hand shower set with anti-scale technology
- Integrated diverter
- Total height 4-3/8"
- Height to aerator/spout outlet 3-1/4"
- Spout hole diameter 1-1/4"
- Hole diameter single-lever mixer 1-3/8"
- Hole diameter for hand shower set 1-1/4"
- 2-1/2" x 2-1/2" flange for spout
- Hand shower set with flange 2-1/2" x 2-1/2"
- Mixer with flange 2" x 2"
- Metal shower hose 68-7/8" with anti-twist device
- Water flow rate limited to max. 7 gpm
- Handshower flow rate max. 1.8 gpm
- NOTE: Local building codes may require the use of an anti-scald device. Please refer to remote pressure balance valve (35 910 970 90)
- Internal backflow preventer.



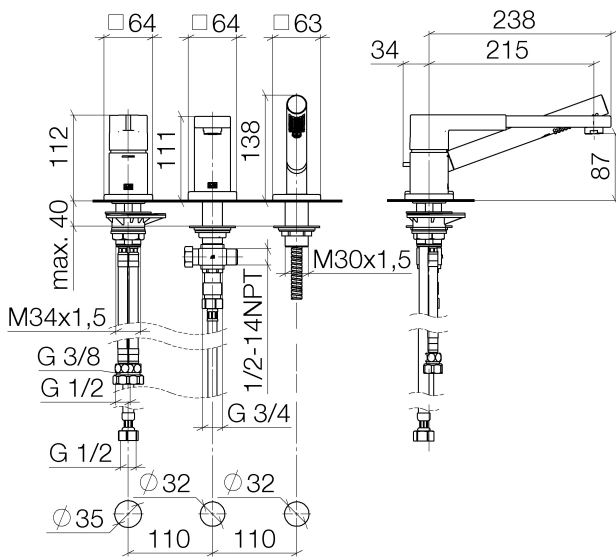
polished chrome

**Bathtub - LULU**

Three-hole single-lever tub mixer for deck-mounted tub installation - polished chrome

Article number: 27 412 710-00

**Dimensional drawing**



All dimensions in mm / inch = mm x 0,0394



## Bathtub - LULU

Three-hole single-lever tub mixer for deck-mounted tub installation - polished chrome

Article number: 27 412 710-00

## Other surface finishes



platinum matte

27 412 710-06

More custom finish options are available via special production (xTra Service). Please see our finish matrix for availability and pricing or contact a Dornbracht representative.