



Bathtub - Lissé

Three-hole single-lever tub mixer for deck-mounted tub installation - polished chrome

Article number: 27 412 845-00



- 7-7/8" Projection
- Spout: Round aerated stream
- Hand shower set with anti-scale technology
- Integrated diverter
- Total height 5-1/2"
- Height to aerator/spout outlet 3-1/2"
- Spout hole diameter 1-1/4"
- Hole diameter single-lever mixer 1-3/8"
- Hole diameter for hand shower set 1-1/4"
- Hand shower set with flange Ø 2"
- Metal shower hose 68-7/8" with anti-twist device
- Water flow rate limited to max. 4.5 gpm
- Handshower flow rate max. 1.8 gpm
- NOTE: Local building codes may require the use of an anti-scald device. Please refer to remote pressure balance valve (35 910 970 90)
- Internal backflow preventer.



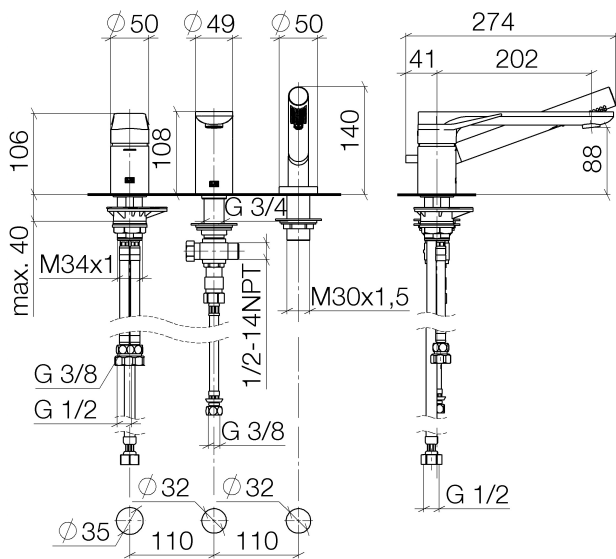
polished chrome

Bathtub - Lissé

Three-hole single-lever tub mixer for deck-mounted tub installation - polished chrome

Article number: 27 412 845-00

Dimensional drawing



All dimensions in mm / inch = mm x 0,0394



Bathtub - Lissé

Three-hole single-lever tub mixer for deck-mounted tub installation - polished chrome

Article number: 27 412 845-00

Other surface finishes



platinum matte

27 412 845-06

More custom finish options are available via special production (xTra Service). Please see our finish matrix for availability and pricing or contact a Dornbracht representative.