

Shower - VAIA

Hand shower set for deck-mounted tub installation - polished chrome

Article number: 27 702 809-00

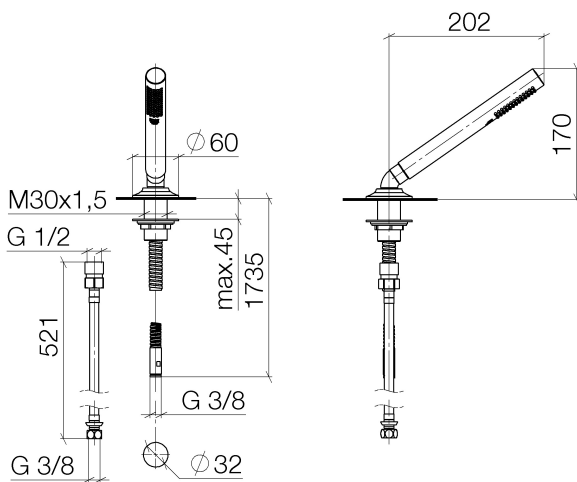


- Standard spray mode
- Descaling system
- Flange diameter 2-3/8"
- 1-1/4" hole diameter
- Metal shower hose 68-7/8" with anti-twist device
- Water flow rate limited to max. 1.8 gpm
- Fittings group in compliance with DIN 4109: 1
- Internal backflow preventer.



polished chrome

Dimensional drawing



All dimensions in mm / inch = mm x 0,0394

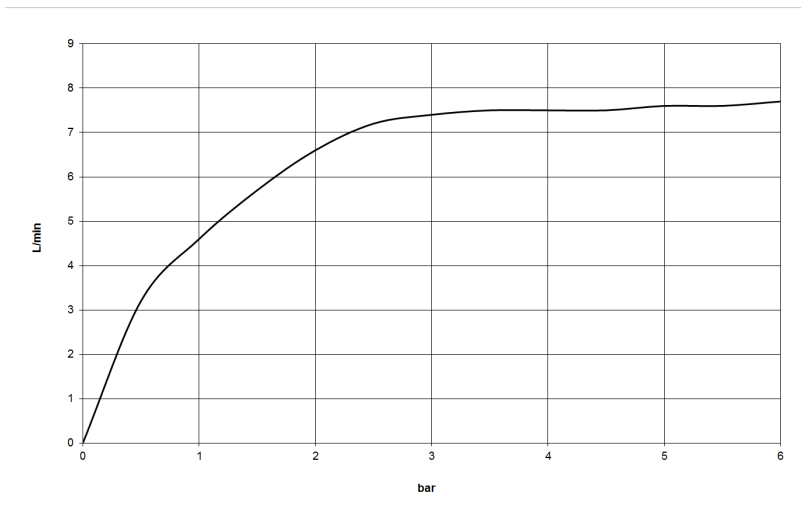


Shower - VAIA

Hand shower set for deck-mounted tub installation - polished chrome

Article number: 27 702 809-00

Flow rate chart





Shower - VAIA

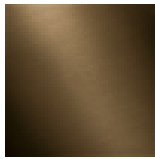
Hand shower set for deck-mounted tub installation - polished chrome

Article number: 27 702 809-00

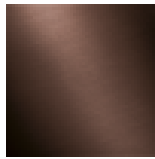
Other surface finishes



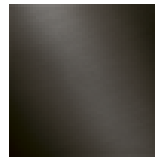
platinum matte
27 702 809-06



Dark Brass matte
27 702 809-16



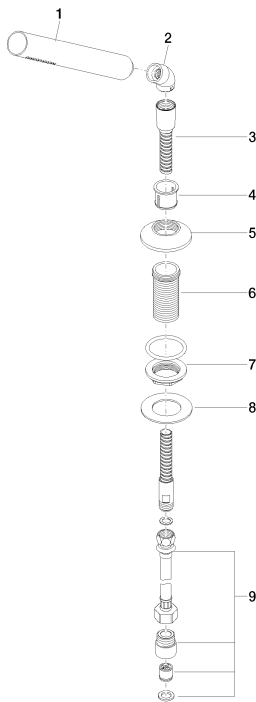
Dark Bronze matte
27 702 809-17



Dark Platinum matte
27 702 809-99

More custom finish options are available via special production (xTra Service). Please see our finish matrix for availability and pricing or contact a Dornbracht representative.

Spare parts list



Number	Item Number	Designation	Number of units
1	28 013 979-00	Baton hand shower - polished chrome	1
2	28 411 970-00	Arc - polished chrome	1
3	28 322 970-00	Metal shower hose 1/2" x 3/8" x 68-7/8" - polished chrome	1
4	09 18 40 085 90	Hood / sleeve -	1
5	09 27 80 016-00	Escutcheon - polished chrome	1
6	09 30 01 090-07	Wall connection - Rough nickel-plated	1
7	04 23 10 032 46 90	Mounting bracket -	1
8	09 30 11 060 90	Washer -	1
9	12 505 970 90	Flexible supply line 1/2" x 3/8" x 19-5/8" -	1