



Shower - Madison Flair

Hand shower set with individual flanges - polished chrome

Article number: 27 803 371-00 0010



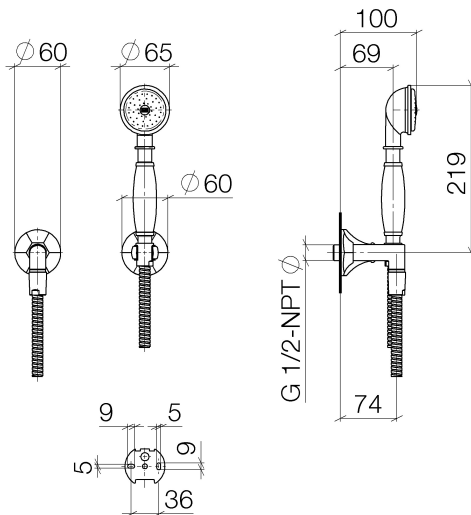
- Ø 2-1/2"
- Standard spray mode
- Descaling system
- 1/2" Shower outlet
- Wall elbow with flange Ø 2-3/8"
- Wall bracket with flange Ø 2-3/8"
- Metal shower hose 49-1/4" with anti-twist device
- 1/2" wall elbow
- Water flow rate limited to max. 1.8 gpm



polished chrome

Accessory is required for this item.

Dimensional drawing

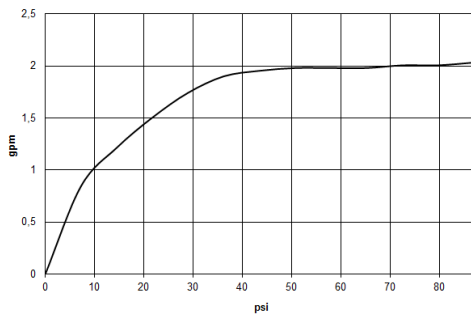




Shower - Madison Flair
Hand shower set with individual flanges - polished chrome
Article number: 27 803 371-00 0010

All dimensions in mm / inch = mm x 0,0394

Flow rate chart





Shower - Madison Flair
Hand shower set with individual flanges - polished chrome
Article number: 27 803 371-00 0010

Other surface finishes



platinum matte
27 803 371-06 0010



platinum
27 803 371-08 0010



Durabrass
27 803 371-09 0010

More custom finish options are available via special production (xTra Service). Please see our finish matrix for availability and pricing or contact a Dornbracht representative.

Required article

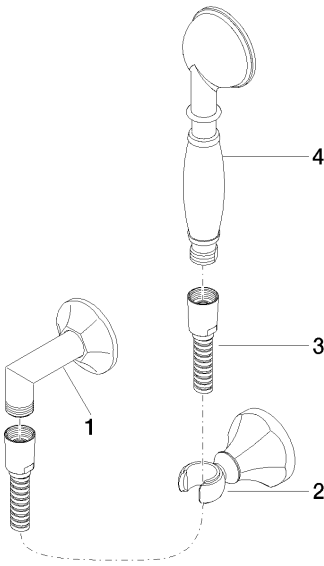


35 080 970-90 0010
Rough-in adapter -



Shower - Madison Flair
Hand shower set with individual flanges - polished chrome
Article number: 27 803 371-00 0010

Spare parts list



Number	Item Number	Designation	Number of units
1	28 450 370-00 0010	Wall elbow - polished chrome	1
2	28 050 371-00	Wall bracket - polished chrome	1
3	28 104 970-00	Metal shower hose 1/2" x 1/2" x 49-1/4" - polished chrome	1
4	28 002 970-00 0010	Metal hand shower with porcelain (white) handle - polished chrome	1