



Shower - Lissé

Hand shower set with individual flanges - polished chrome

Article number: 27 803 845-00 0010



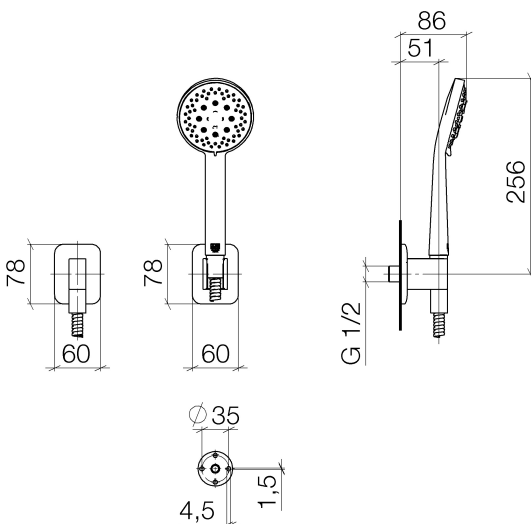
- 3 individual sprays (standard, soft, massage) + 2 combinations (standard+soft, soft+massage)
- Descaling system
- 3/8" Shower outlet
- Flange for wall elbow 2-3/8" x 3-1/8"
- Wall bracket with flange 2-3/8" x 3-1/8"
- Metal shower hose 49-1/4" with anti-twist device
- 1/2" wall elbow
- Water flow rate limited to max. 1.8 gpm
- Internal backflow preventer.



polished chrome

Accessory is required for this item.

Dimensional drawing





Shower - Lissé

Hand shower set with individual flanges - polished chrome

Article number: 27 803 845-00 0010

All dimensions in mm / inch = mm x 0,0394



Shower - Lissé

Hand shower set with individual flanges - polished chrome

Article number: 27 803 845-00 0010

Other surface finishes



platinum matte

27 803 845-06 0010

More custom finish options are available via special production (xTra Service). Please see our finish matrix for availability and pricing or contact a Dornbracht representative.

Required article



35 080 970-90 0010

Rough-in adapter -