



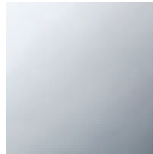
Kitchen sink - Meta.02

Two-hole mixer with individual flanges - polished chrome

Article number: 32 800 625-00 0010

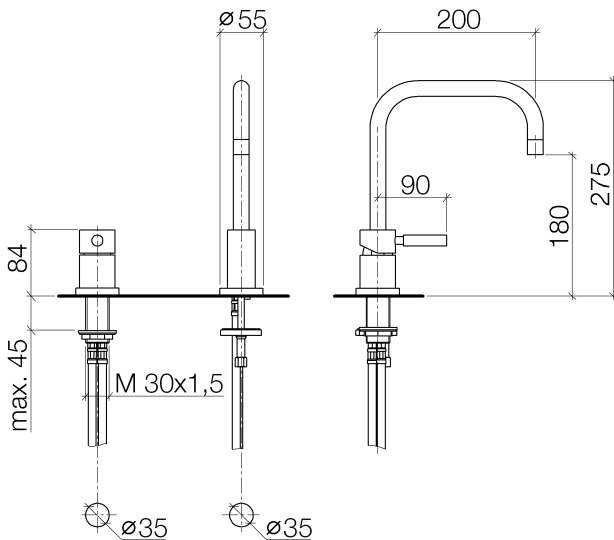


- 7-7/8" Projection
- Swiveling spout 360°
- Areated stream
- Total height 10-7/8"
- Height to aerator/spout outlet 7-1/8"
- Spout hole diameter 1-3/8"
- Single-lever mixer hole diameter 1-3/8"
- 2x 3/8" US flexible supply lines
- Water flow rate limited to max. 1.5 gpm
- lead-free
- (ADA)
- Flexible positioning of components



polished chrome

Dimensional drawing

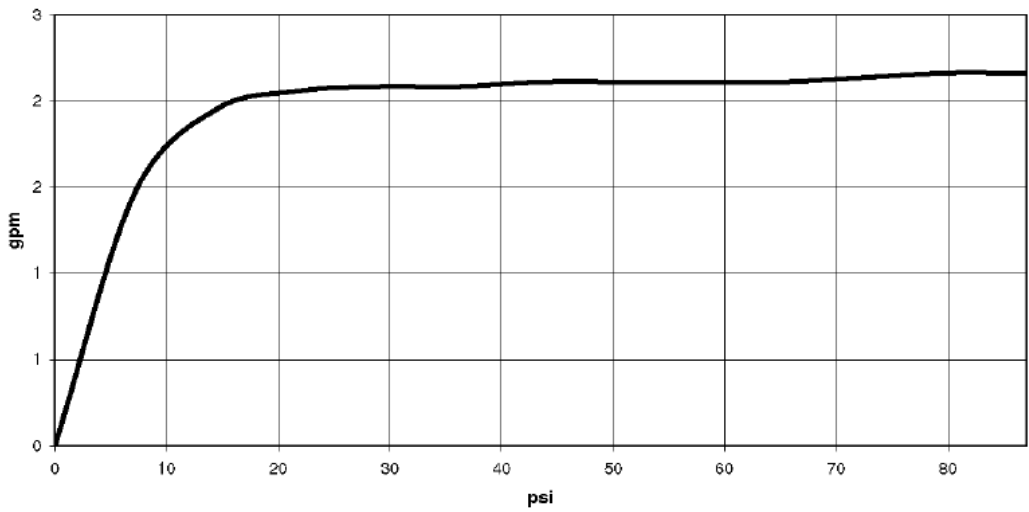




Kitchen sink - Meta.02
Two-hole mixer with individual flanges - polished chrome
Article number: 32 800 625-00 0010

All dimensions in mm / inch = mm x 0,0394

Flow rate chart





Kitchen sink - Meta.02

Two-hole mixer with individual flanges - polished chrome

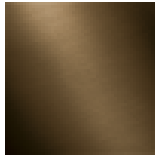
Article number: 32 800 625-00 0010

Other surface finishes



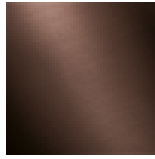
platinum matte

32 800 625-06 0010



Dark Brass matte

32 800 625-16 0010



Dark Bronze matte

32 800 625-17 0010

More custom finish options are available via special production (xTra Service). Please see our finish matrix for availability and pricing or contact a Dornbracht representative.

Recommended article



10 710 970-00

Strainer remote control with turning knob - polished chrome



10 713 970-00

AIR SWITCH operating button, trim parts only - polished chrome



82 434 970-00

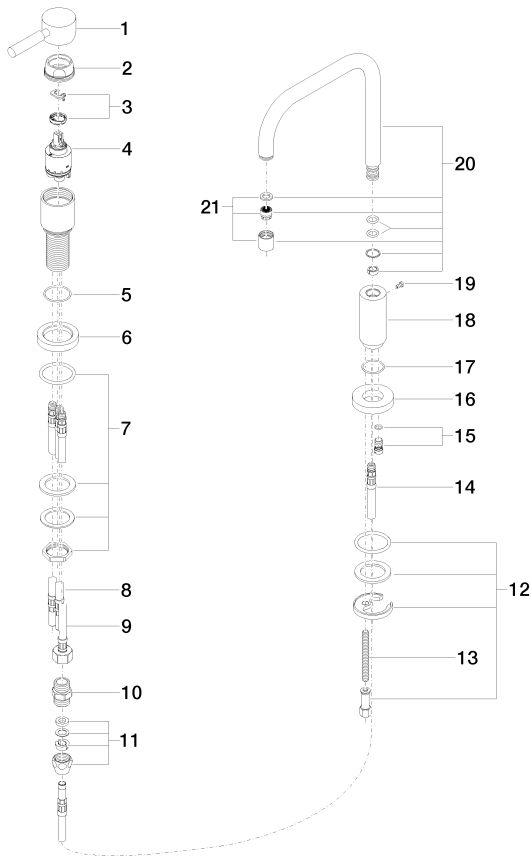
Soap dispenser with flange - polished chrome

Kitchen sink - Meta.02

Two-hole mixer with individual flanges - polished chrome

Article number: 32 800 625-00 0010

Spare parts list



| Number | Item Number | Designation | Number of units |
|--------|--------------------|-----------------------------------|-----------------|
| 1 | 90 20 62 040 00-00 | Lever - polished chrome | 1 |
| 2 | 09 24 04 107-00 | Wall connection - polished chrome | 1 |
| 3 | 04 28 10 148 00 90 | EHM cartridge - | 1 |
| 4 | 90 15 05 063 00 90 | EHM cartridge - | 1 |
| 5 | 09 14 10 102 90 | Washer - | 1 |
| 6 | 09 28 10 111-00 | Escutcheon - polished chrome | 1 |
| 7 | 04 23 10 032 46 90 | Mounting bracket - | 1 |
| 8 | 04 30 04 045 00 90 | Flexible supply line 3/8" - | 2 |
| 9 | 04 30 04 019 00 90 | Flexible supply line - | 1 |
| 10 | 09 24 03 168 10 90 | Nipple - | 1 |
| 11 | 04 23 30 040 00-00 | Wall connection - polished chrome | 1 |
| 12 | 04 30 11 038 00 90 | Mounting bracket - | 1 |
| 13 | 09 31 11 011 90 | Mounting bracket - | 1 |
| 14 | 04 30 04 016 00 90 | Flexible supply line - | 1 |
| 15 | 04 31 20 046 10 92 | Plug for European drain - | 1 |
| 16 | 09 28 10 064-00 | Escutcheon - polished chrome | 1 |
| 17 | 09 14 10 120 90 | Washer - | 1 |
| 18 | 09 11 10 062 10-00 | Wall connection - polished chrome | 2 |
| 20 | 09 30 30 057 90 | Mounting bracket - | 1 |
| 21 | 90 23 01 028 00-00 | Aerator - polished chrome | 1 |