



Kitchen sink - Elio

Two-hole mixer with individual flanges - polished chrome

Article number: 32 800 790-00 0010



- 9-1/4" Projection
- Swiveling spout 360°
- Spout with 20° pivoting tip
- Areated stream
- Total height 13-1/4"
- Height to aerator/spout outlet 11-3/4"
- 2-1/8" diameter flanges
- Spout hole diameter 1-3/8"
- Single-lever mixer hole diameter 1-3/8"
- 2x 3/8" US flexible supply lines
- Water flow rate limited to max. 1.5 gpm
- lead-free
- (ADA)
- Flexible positioning of components

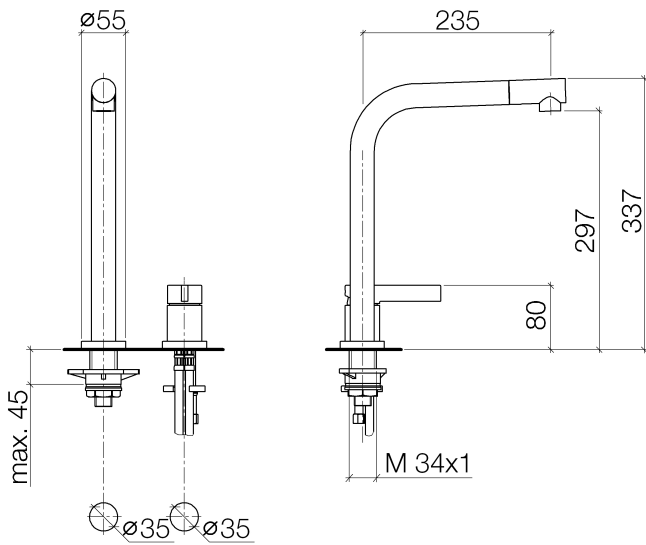


polished chrome



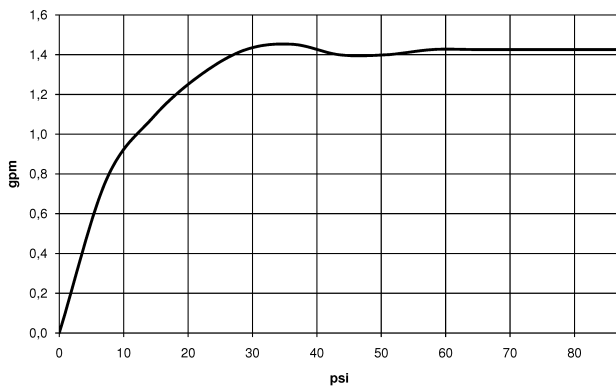
Kitchen sink - Elio  
Two-hole mixer with individual flanges - polished chrome  
Article number: 32 800 790-00 0010

### Dimensional drawing



All dimensions in mm / inch = mm x 0,0394

### Flow rate chart





Kitchen sink - Elio

Two-hole mixer with individual flanges - polished chrome

Article number: 32 800 790-00 0010

## Other surface finishes



platinum matte

32 800 790-06 0010

More custom finish options are available via special production (xTra Service). Please see our finish matrix for availability and pricing or contact a Dornbracht representative.

## Recommended article



10 713 970-00

AIR SWITCH operating button, trim parts only - polished chrome



82 434 970-00

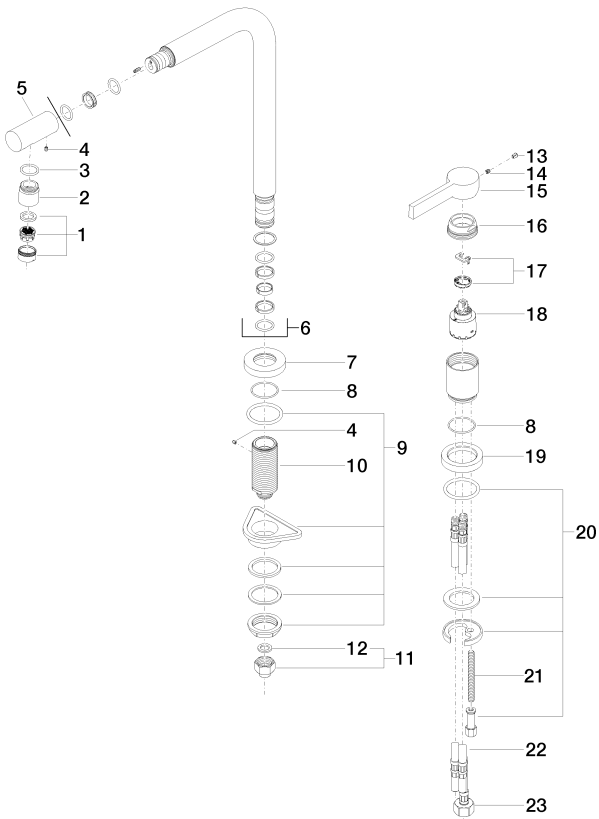
Soap dispenser with flange - polished chrome

**Kitchen sink - Elio**

**Two-hole mixer with individual flanges - polished chrome**

Article number: 32 800 790-00 0010

**Spare parts list**



Number	Item Number	Designation	Number of units
1	90 23 01 026 08-00	Aerator - polished chrome	1
2	09 24 04 164 10-00	Nipple - polished chrome	1
3	09 14 10 100 90	Washer -	1
4	09 31 11 044 90	Mounting bracket -	2
5	09 24 04 163 10-00	Nipple - polished chrome	1
6	90 28 22 188 00-00	Outlet - polished chrome	1
7	09 27 79 001-00	Escutcheon - polished chrome	1
8	09 14 10 102 90	Washer -	2
9	04 23 10 044 01 90	Mounting bracket -	1
10	09 30 01 094 10-00	Wall connection - polished chrome	1
11	04 24 04 166 10 90	Nipple -	1
12	09 14 20 002 90	Washer -	1
13	09 31 20 017 90	Plug for European drain -	1
14	09 31 11 030 90	Mounting bracket -	1
15	09 20 79 040-00	Lever - polished chrome	1
16	09 24 04 141-00	Mounting bracket - polished chrome	1
17	04 28 10 148 00 90	EHM cartridge -	1
18	90 15 05 061 00 90	EHM cartridge -	1
19	09 28 10 111-00	Escutcheon - polished chrome	1
20	04 30 11 038 00 90	Mounting bracket -	1
21	09 31 11 011 90	Mounting bracket -	1
22	04 30 04 045 00 90	Flexible supply line 3/8" -	2
23	04 30 04 019 00 90	Flexible supply line -	1