



Sink - IMO

Single-lever lavatory mixer without drain - polished chrome

Article number: 33 521 670-00 0010



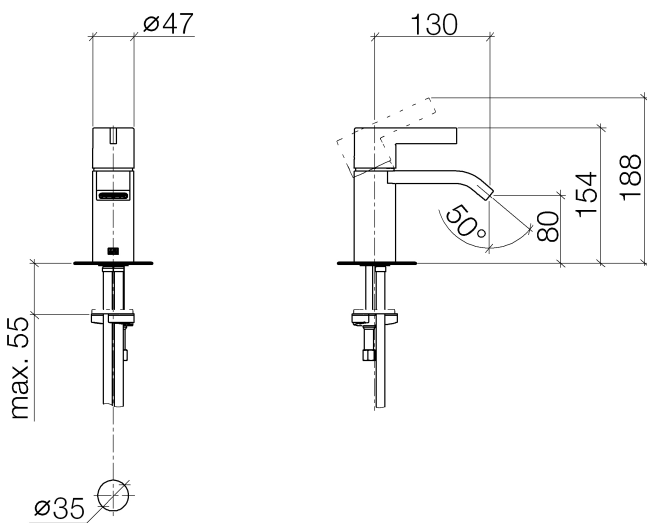
- 5-1/8" Projection
- Rigid spout
- Rectangular aerated stream
- Total height 6-1/8"
- Height to aerator/spout outlet 3-1/8"
- 1-3/8" hole diameter
- 2x 3/8" US flexible supply lines
- Water flow rate limited to max. 1.2 gpm
- lead-free



polished chrome



Dimensional drawing

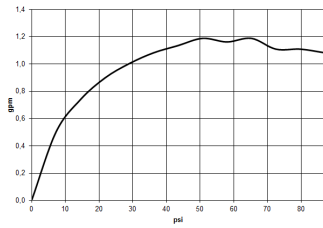


All dimensions in mm / inch = mm x 0,0394



Sink - IMO
Single-lever lavatory mixer without drain - polished chrome
Article number: 33 521 670-00 0010

Flow rate chart





Sink - IMO

Single-lever lavatory mixer without drain - polished chrome

Article number: 33 521 670-00 0010

Other surface finishes



platinum matte

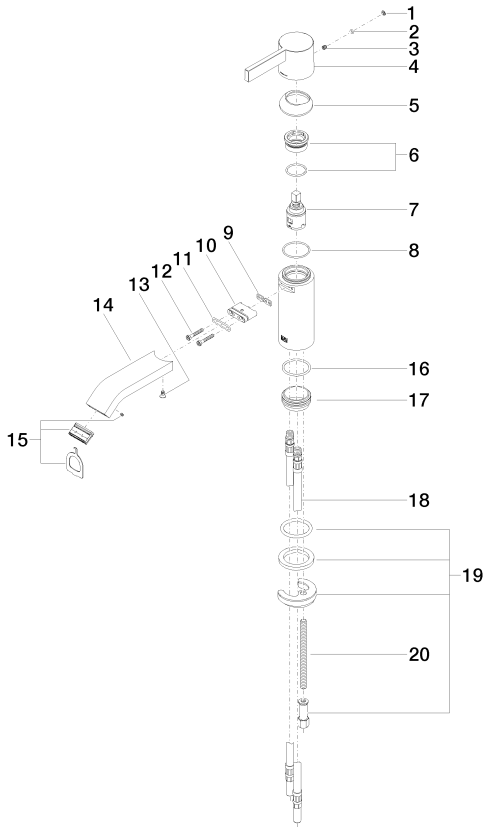
33 521 670-06 0010

More custom finish options are available via special production (xTra Service). Please see our finish matrix for availability and pricing or contact a Dornbracht representative.



Sink - IMO
 Single-lever lavatory mixer without drain - polished chrome
 Article number: 33 521 670-00 0010

Spare parts list



Number	Item Number	Designation	Number of units
1	09 31 20 087-00	Plug for European drain - polished chrome	1
2	09 14 10 133 90	Washer -	1
3	09 31 11 030 90	Mounting bracket -	1
4	09 20 67 003-00	Lever - polished chrome	1
5	09 28 30 019-00	Hood / sleeve - polished chrome	1
6	90 23 10 066 00 90	Mounting bracket -	1
7	90 15 05 042 00 90	EHM cartridge -	1
8	09 14 10 102 90	Washer -	1
9	09 14 03 131 90	Washer -	1
10	09 11 03 061 90	Wall connection -	1
11	09 14 10 053 90	Washer -	1
12	09 30 30 084 90	Mounting bracket -	2
13	09 30 30 116 90	Mounting bracket -	1
14	09 28 22 239-00	Outlet - polished chrome	1
15	90 29 03 118 00 90	Aerator -	1
16	09 14 10 119 90	Washer -	1
17	09 28 10 109-07	Ring - Rough nickel-plated	1
18	04 30 04 045 00 90	Flexible supply line 3/8" -	2
19	04 30 11 085 62 90	Mounting bracket -	1
20	09 31 11 012 90	Mounting bracket -	1