



Sink - Lissé

Single-lever lavatory mixer with extended shank without drain - polished chrome

Article number: 33 537 845-00 0010

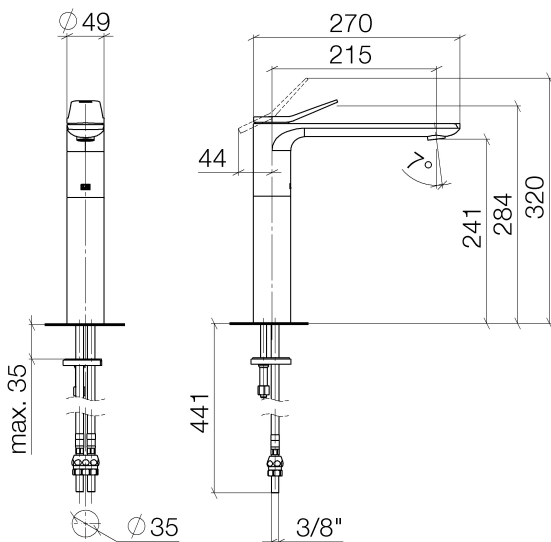


- 8-1/2" Projection
- Rigid spout
- Round aerated stream
- Total height 11-1/2"
- Height to aerator/spout outlet 9-1/2"
- 1-3/8" hole diameter
- 2x 10 mm flexible supply lines including 3/8" US adapters
- Water flow rate limited to max. 1.2 gpm
- lead-free
- (ADA)
- For combination with vessel sinks.



polished chrome

Dimensional drawing



All dimensions in mm / inch = mm x 0,0394

Model/program/technical modifications and error excepted
For more information see: www.dornbracht.com + 49 (0) 2371 433-460 mail@dornbrachtgroup.de

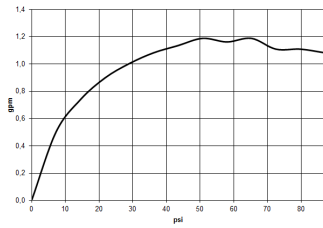


Sink - Lissé

Single-lever lavatory mixer with extended shank without drain - polished chrome

Article number: 33 537 845-00 0010

Flow rate chart





Sink - Lissé

Single-lever lavatory mixer with extended shank without drain - polished chrome

Article number: 33 537 845-00 0010

Other surface finishes

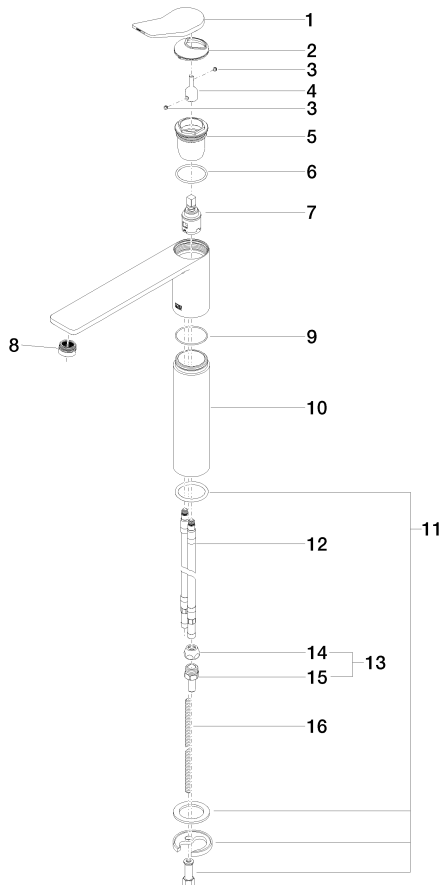


platinum matte

33 537 845-06 0010

More custom finish options are available via special production (xTra Service). Please see our finish matrix for availability and pricing or contact a Dornbracht representative.

Spare parts list



Number	Item Number	Designation	Number of units
1	09 20 84 020-00	Lever - polished chrome	1
2	09 28 30 034 90	Hood / sleeve -	1
3	09 31 11 063 90	Mounting bracket -	2
4	09 29 06 117 90	Extension -	1
5	09 23 10 123 90	EHM cartridge -	1
6	09 14 10 038 90	Washer -	1
7	90 15 05 042 00 90	EHM cartridge -	1
8	90 23 01 161 03-00	Aerator - polished chrome	1
9	09 14 10 108 90	Washer -	1
10	09 28 22 306-00	Body - polished chrome	1
11	04 30 11 038 75 90	Mounting bracket -	1
12	04 30 04 098 00 90	Tube -	2
13	04 24 04 222 00-00	Mounting bracket - polished chrome	1
14	04 23 30 031 01-07	Wall connection - Rough nickel-plated	2
15	09 24 04 222 10-00	Wall connection - polished chrome	2
16	09 31 11 095 90	Mounting bracket -	1