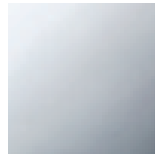




Kitchen sink - Tara Classic
Single-lever mixer - polished chrome
Article number: 33 815 888-00 0010

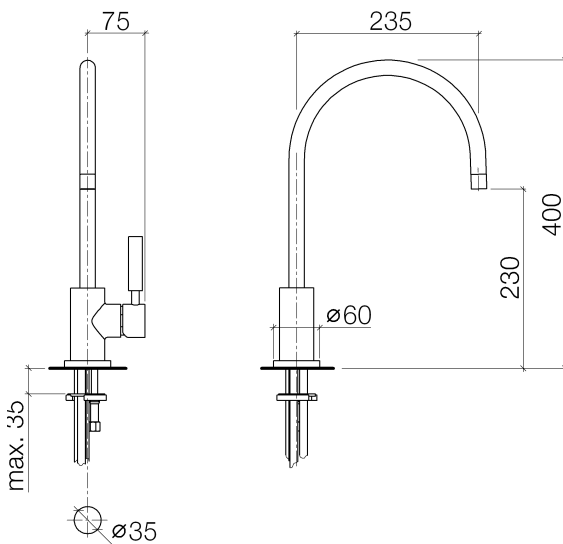


- 9-1/4" Projection
- Swiveling spout 360°
- Areated stream
- Total height 15-3/4"
- Height to aerator/spout outlet 9"
- 1-3/8" hole diameter
- 2x 3/8" US flexible supply lines
- Water flow rate limited to max. 1.5 gpm
- lead-free
- (ADA)
- Combination with side spray set or profi side spray set not possible.



polished chrome

Dimensional drawing



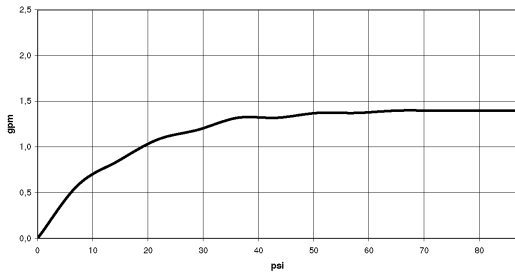
All dimensions in mm / inch = mm x 0,0394

Model/program/technical modifications and error excepted
For more information see: www.dornbracht.com + 49 (0) 2371 433-460 mail@dornbrachtgroup.de



Kitchen sink - Tara Classic
Single-lever mixer - polished chrome
Article number: 33 815 888-00 0010

Flow rate chart



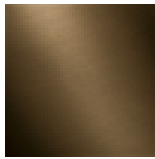


Kitchen sink - Tara Classic
Single-lever mixer - polished chrome
Article number: 33 815 888-00 0010

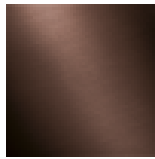
Other surface finishes



platinum matte
33 815 888-06 0010



Dark Brass matte
33 815 888-16 0010



Dark Bronze matte
33 815 888-17 0010



Cyprum
33 815 888-49 0010



Dark Platinum matte
33 815 888-99 0010

More custom finish options are available via special production (xTra Service). Please see our finish matrix for availability and pricing or contact a Dornbracht representative.

Recommended article



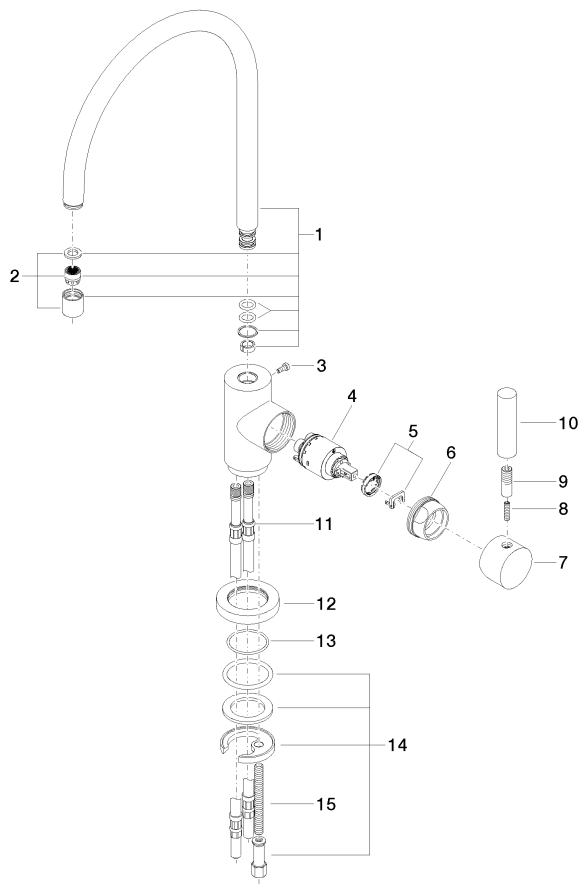
10 713 970-00
AIR SWITCH operating
button, trim parts only -
polished chrome



82 434 970-00
Soap dispenser with flange -
polished chrome

Kitchen sink - Tara Classic
 Single-lever mixer - polished chrome
 Article number: 33 815 888-00 0010

Spare parts list



Number	Item Number	Designation	Number of units
1	90 28 22 049 03-00	Outlet - polished chrome	1
2	90 23 01 028 00-00	Aerator - polished chrome	1
3	09 30 30 054 90	Mounting bracket -	1
4	90 15 05 063 00 90	EHM cartridge -	1
5	04 28 10 148 00 90	EHM cartridge -	1
6	09 24 04 107-00	Wall connection - polished chrome	1
7	90 20 88 040 00-00	Lever - polished chrome	1
8	09 31 11 010 90	Mounting bracket -	1
9	09 24 04 048-00	Lever - polished chrome	1
10	11 170 880-00	Lever - polished chrome	1
11	04 30 04 044 00 90	Flexible supply line -	2
12	09 28 10 055-00	Escutcheon - polished chrome	1
13	09 14 10 034 90	Washer -	1
14	04 30 11 038 00 90	Mounting bracket -	1
15	09 31 11 011 90	Mounting bracket -	1