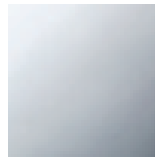




Kitchen sink - Tara Ultra  
Profi single-lever mixer - polished chrome  
Article number: 33 860 875-00 0010

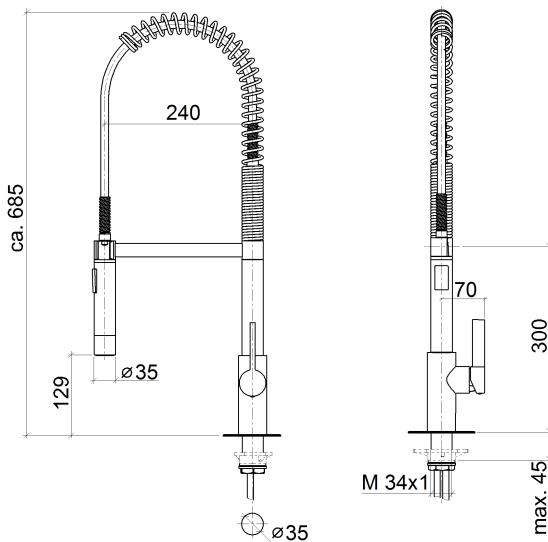


- 9-1/2" Projection
- Swiveling 360°
- Aerated stream and spray mode
- Total height 27"
- Height to aerator/spout outlet 5-1/8"
- 1-3/8" hole diameter
- 2x 3/8" US flexible supply lines
- Sprayface with descaling system
- Water flow rate limited to max. 1.5 gpm
- lead-free



polished chrome

## Dimensional drawing



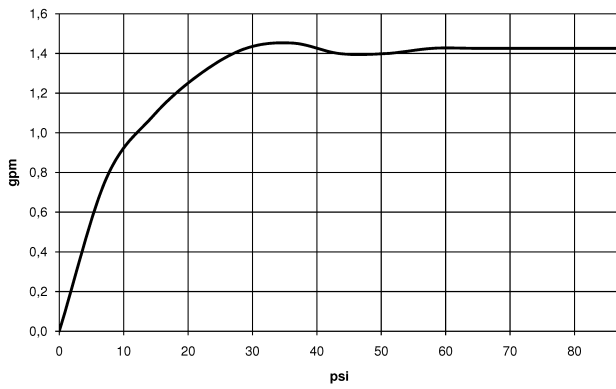
All dimensions in mm / inch = mm x 0,0394

Model/program/technical modifications and error excepted  
For more information see: [www.dornbracht.com](http://www.dornbracht.com) + 49 (0) 2371 433-460 mail@dornbrachtgroup.de



Kitchen sink - Tara Ultra  
Profi single-lever mixer - polished chrome  
Article number: 33 860 875-00 0010

### Flow rate chart





Kitchen sink - Tara Ultra  
Profi single-lever mixer - polished chrome  
Article number: 33 860 875-00 0010

### Other surface finishes



platinum matte  
33 860 875-06 0010



platinum  
33 860 875-08 0010

More custom finish options are available via special production (xTra Service). Please see our finish matrix for availability and pricing or contact a Dornbracht representative.

### Recommended article



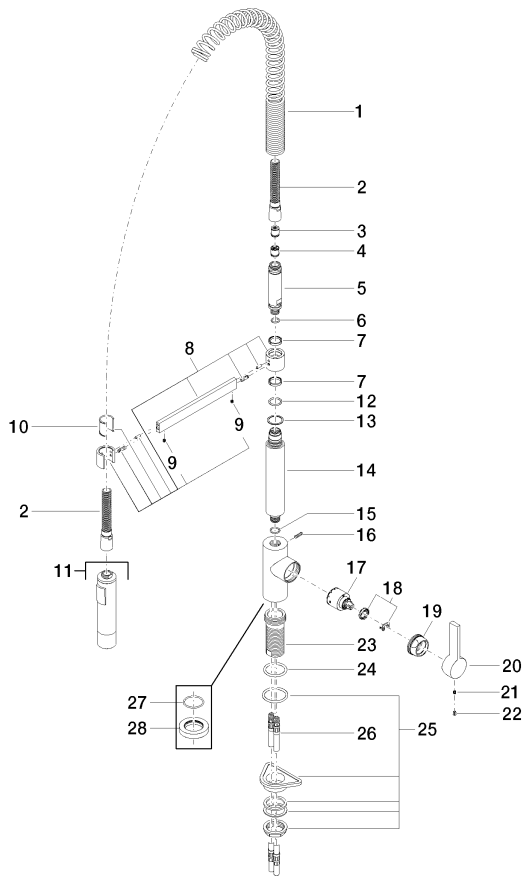
10 713 970-00  
AIR SWITCH operating  
button, trim parts only -  
polished chrome



82 424 970-00  
Soap dispenser without  
flange - polished chrome

Kitchen sink - Tara Ultra  
 Profi single-lever mixer - polished chrome  
 Article number: 33 860 875-00 0010

Spare parts list



Number	Item Number	Designation	Number of units
1	09 16 02 035 90	shower head -	1
2	09 30 02 065-00	Tube - polished chrome	1
3	09 23 01 046 90	Application -	1
4	09 23 01 040 90	Application -	1
5	09 30 01 067 10-00	Wall connection - polished chrome	1
6	09 14 10 077 90	Washer -	1
7	09 14 15 024 90	Ring -	2
8	04 17 20 029 00-00	Holder - polished chrome	1
9	04 31 11 112 00 90	Mounting bracket -	2
10	09 18 40 118 90	Hood / sleeve -	1
11	04 12 11 092 10-00	shower head - polished chrome	1
12	09 14 10 100 90	Washer -	1
13	09 28 10 122 90	Ring -	1
14	09 11 10 072 10-00	Wall connection - polished chrome	1
15	04 31 11 113 00 90	Mounting bracket -	1
16	09 14 10 055 90	Washer -	1
17	90 15 05 061 00 90	EHM cartridge -	1
18	04 28 10 148 00 90	EHM cartridge -	1
19	09 24 04 107-00	Wall connection - polished chrome	1
20	09 20 79 040-00	Lever - polished chrome	1
21	09 31 11 030 90	Mounting bracket -	1
22	09 31 20 017 90	Plug for European drain -	1
23	09 30 01 111 20 90	Wall connection -	1
24	09 14 10 036 90	Washer -	1
25	04 23 10 044 02 90	Mounting bracket -	1
26	04 30 04 045 00 90	Flexible supply line 3/8" -	2
27	09 14 10 149 90	Washer -	1
28	09 28 10 035-00	Escutcheon - polished chrome	1