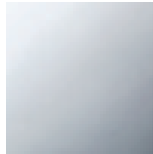




Shower - Madison
Exposed shower set - polished chrome
Article number: 34 459 360-00 0010



- Projection 16-1/2"
- Rainshower
- Rain shower Ø 7-7/8"
- Rain shower with descaling system
- Rain shower water flow rate limited to max. 1.8 gpm
- Shower head / hand shower diverter
- Height from center of faucet to bottom of rainhead 38-3/4"
- Height from center of faucet to top of shower arm 45-5/8"
- Flanges Ø 2-1/2"
- Wall bracket with flange Ø 2-5/8"
- Flange for wall connection Ø 2-3/8"
- Center to center 5-7/8" ± 1/2"
- Metal shower hose 49-1/4" with anti-twist device
- 1/2" connection
- Internal backflow preventer.
- NOTE: Hand shower sold separately. Please see hand shower options under the miscellaneous articles section of each series.



polished chrome

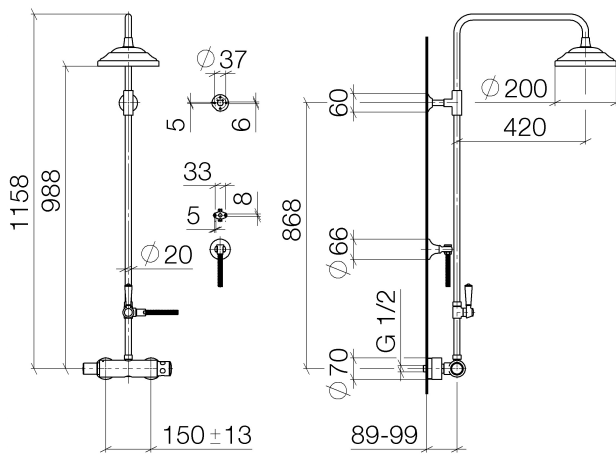
Accessory is required for this item.



Shower - Madison
Exposed shower set - polished chrome
Article number: 34 459 360-00 0010

Dimensional drawing

1:10



All dimensions in mm / inch = mm x 0,0394



Shower - Madison
Exposed shower set - polished chrome
Article number: 34 459 360-00 0010

Other surface finishes



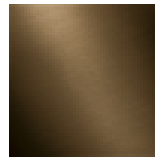
platinum matte
34 459 360-06 0010



platinum
34 459 360-08 0010



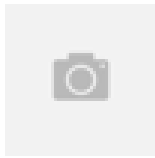
Durabrass
34 459 360-09 0010



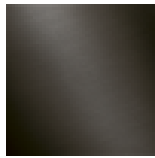
Dark Brass matte
34 459 360-16 0010



Dark Bronze matte
34 459 360-17 0010



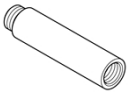
Brushed Durabrass
34 459 360-28 0010



Dark Platinum matte
34 459 360-99 0010

More custom finish options are available via special production (xTra Service). Please see our finish matrix for availability and pricing or contact a Dornbracht representative.

Required article



35 080 970-90 0010
Rough-in adapter -