

Shower - FM products

Concealed thermostat with integrated supply stops -

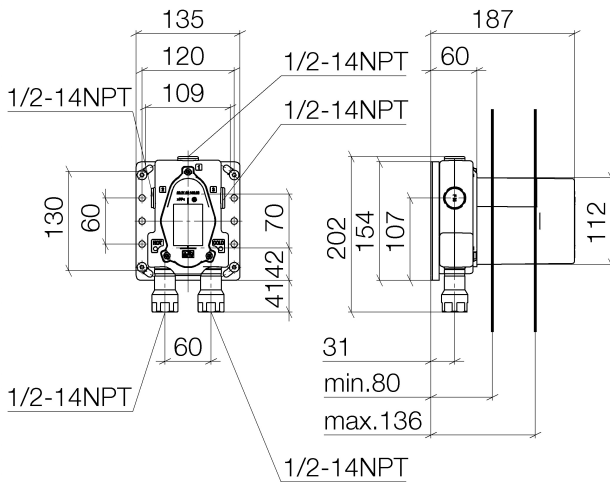
Article number: 35 428 970-90 0010



- integrated stop
- lead free compliant
- 2x back flow preventer
- 3x outlet 1/2"
- 2x inlet 1/2"
- Mud guard
- Water protection
- Noise and heat insulation
- Center to center 2-3/4"
- Wall elbow 1/2" (concealed rough parts) Also compatible with xGrid
- Only for combination with exposed trim parts 36 428 SSS-FF



Dimensional drawing

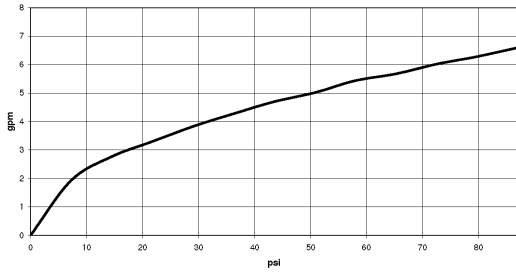


All dimensions in mm / inch = mm x 0,0394



Shower - FM products  
Concealed thermostat with integrated supply stops -  
Article number: 35 428 970-90 0010

### Flow rate chart

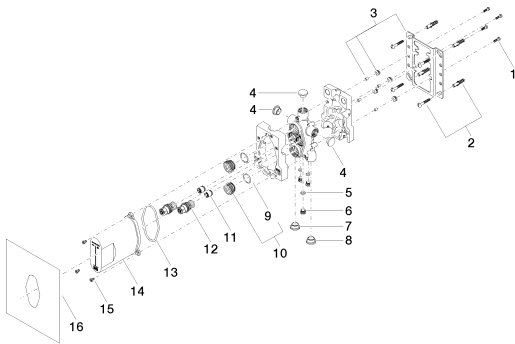


Shower - FM products

Concealed thermostat with integrated supply stops -

Article number: 35 428 970-90 0010

### Spare parts list



Number	Item Number	Designation	Number of units
1	09 30 30 171 90	Mounting bracket -	4
2	04 30 31 024 01 90	Mounting bracket -	2
3	04 17 20 127 00 90	Holder -	1
4	09 31 20 092 90	Plug for European drain -	3
5	09 14 10 139 90	Washer -	2
6	09 31 20 039 10 90	Plug for European drain -	2
7	09 31 20 093 90	Plug for European drain -	2
8	09 31 20 094 90	Plug for European drain -	2
9	09 14 10 112 90	Washer -	2
10	04 30 11 149 00 90	Washer -	2
11	09 23 01 040 90	Application -	2
12	04 29 05 031 01 90	insert	2
13	09 14 10 512 90	Washer -	1
14	04 21 02 146 00 90	Protective cap -	1
15	09 30 30 112 90	Mounting bracket -	3
16	04 14 03 080 00 90	Washer -	1