



Shower - LULU

Concealed thermostat with one-way volume control - polished chrome

Article number: 36 425 710-00 0010



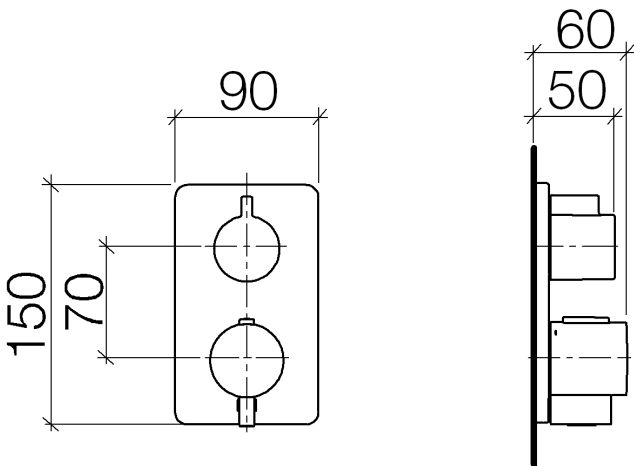
- Cover plate 5-7/8" x 3-1/2"
- Temperature control handle with safety lock at 100 °F/ 38°C
- Max. temperature can be set on the trim
- (ADA)



polished chrome

Accessory is required for this item.

Dimensional drawing

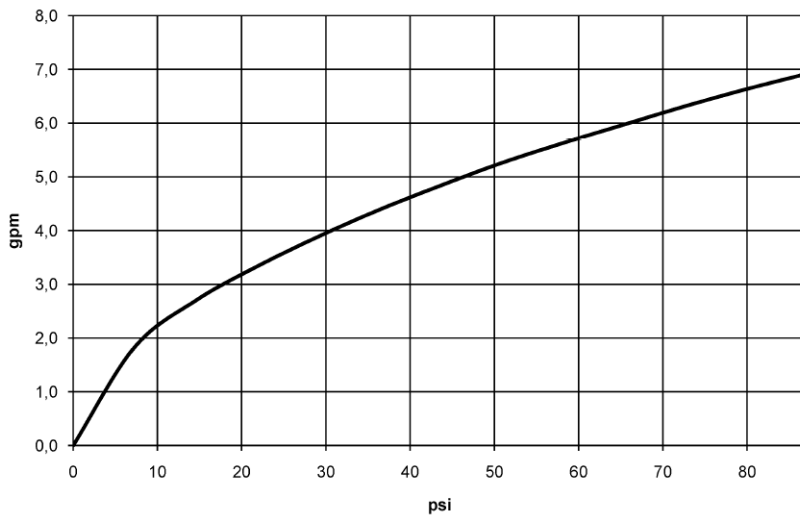


All dimensions in mm / inch = mm x 0,0394



Shower - LULU
Concealed thermostat with one-way volume control - polished chrome
Article number: 36 425 710-00 0010

Flow rate chart





Shower - LULU

Concealed thermostat with one-way volume control - polished chrome

Article number: 36 425 710-00 0010

Other surface finishes



platinum matte

36 425 710-06 0010

More custom finish options are available via special production (xTra Service). Please see our finish matrix for availability and pricing or contact a Dornbracht representative.

Required article



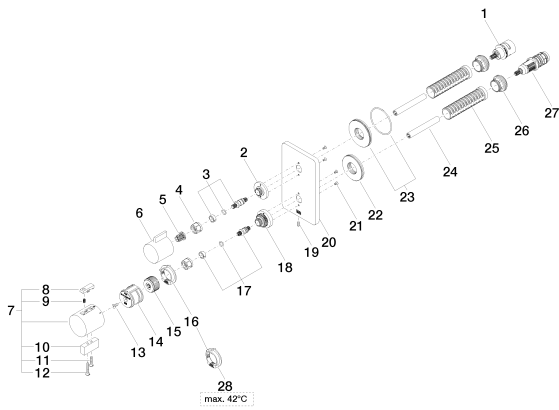
35 426 970-90 0010

Concealed thermostat with
integrated supply stops -

Shower - LULU

Concealed thermostat with one-way volume control - polished chrome

Article number: 36 425 710-00 0010



Spare parts list

Number	Item Number	Designation	Number of units
1	90 90 03 166 00 90	Ceramic cartridge -	1
2	09 12 12 053-00	Mounting bracket - polished chrome	1
3	04 29 06 111 00-00	Wall connection - polished chrome	1
4	09 23 30 023 90	Mounting bracket -	2
5	09 12 12 002 90	Upper part white -	1
6	09 20 67 006-00	Handle - polished chrome	1
7	04 17 33 006 00-00	Handle - polished chrome	1
8	09 21 33 010-00	Conversion - polished chrome	1
9	09 16 02 027 90	Handle -	1
10	09 20 33 006-00	Handle - polished chrome	1
11	09 30 30 159-00	Mounting bracket - polished chrome	1
12	09 30 30 160-00	Mounting bracket - polished chrome	1
13	09 30 30 124 90	Mounting bracket -	1
14	09 12 12 052 90	Mounting bracket -	1
15	09 12 12 054 90	Mounting bracket -	1
16	09 28 10 152 90	Application -	1
17	04 29 06 024 00-00	Wall connection - polished chrome	1
18	09 12 12 051-00	Mounting bracket - polished chrome	1
19	09 31 11 134 90	Mounting bracket -	1
20	09 11 02 246-00	Escutcheon - polished chrome	1
21	09 30 30 157 90	Mounting bracket -	4
22	09 30 01 188 90	Wall connection -	1
23	90 30 01 190 00 90	Wall connection -	1
24	09 23 01 124 90	Hood / sleeve -	2
25	09 18 40 077 90	Hood / sleeve -	2
26	09 24 04 257 90	Mounting bracket -	2
27	90 15 02 012 00 90	Thermostatic cartridge -	1
28	09 28 10 151 90	Application -	1