



Sink - CL.1

Volume Control counter-clockwise closing hot 1/2" - polished chrome

Article number: 36 617 707-00



- WAVE structure
- Flange 2-3/8" x 2-3/8"
- Ceramic disc cartridge
- (ADA)



polished chrome

Accessory is required for this item.

Dimensional drawing



All dimensions in mm / inch = mm x 0,0394



Sink - CL.1

Volume Control counter-clockwise closing hot 1/2" - polished chrome

Article number: 36 617 707-00



Sink - CL.1

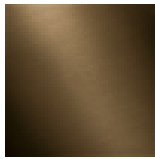
Volume Control counter-clockwise closing hot 1/2" - polished chrome

Article number: 36 617 707-00

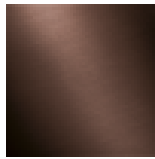
Other surface finishes



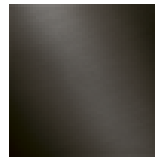
platinum matte
36 617 707-06



Dark Brass matte
36 617 707-16



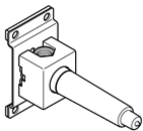
Dark Bronze matte
36 617 707-17



Dark Platinum matte
36 617 707-99

More custom finish options are available via special production (xTra Service). Please see our finish matrix for availability and pricing or contact a Dornbracht representative.

Required article



35 607 970-90 0010

Rough for volume control 1/2"

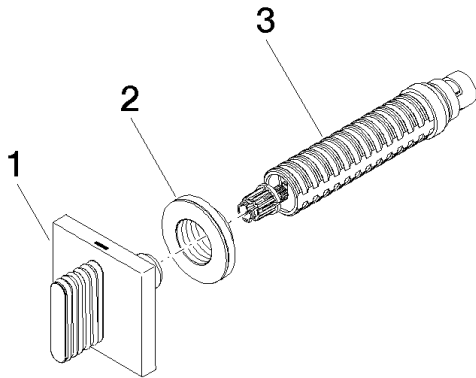


Sink - CL.1

Volume Control counter-clockwise closing hot 1/2" - polished chrome

Article number: 36 617 707-00

Spare parts list



Number	Item Number	Designation	Number of units
1	90 20 70 055 03-00	Handle - polished chrome	1
2	09 21 02 108 90	Hood / sleeve -	1
3	90 90 03 142 00 90	Upper part counter-clockwise closing 1/2" -	1