



## Sink - MEM

Wall-mounted three-hole lavatory mixer without drain - polished chrome

Article number: 36 717 782-00 0010



- 9-1/2" Projection
- Rigid spout
- Rectangular aerated stream
- Valve hole diameter 1-5/8"
- Spout hole diameter 1-5/8"
- Individual flanges 2-3/8" x 2-3/8"
- Water flow rate limited to max. 1.2 gpm
- lead-free
- (ADA)

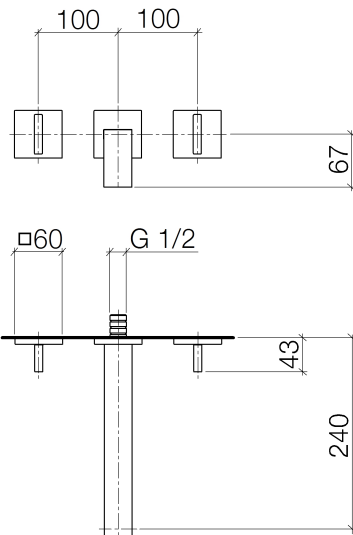


polished chrome



Accessory is required for this item.

## Dimensional drawing





## Sink - MEM

Wall-mounted three-hole lavatory mixer without drain - polished chrome

Article number: 36 717 782-00 0010

All dimensions in mm / inch = mm x 0,0394

### Flow rate chart





## Sink - MEM

Wall-mounted three-hole lavatory mixer without drain - polished chrome

Article number: 36 717 782-00 0010

### Other surface finishes



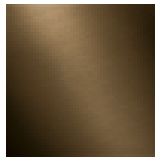
platinum matte

36 717 782-06 0010



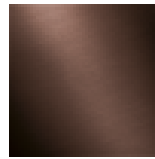
platinum

36 717 782-08 0010



Dark Brass matte

36 717 782-16 0010



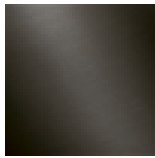
Dark Bronze matte

36 717 782-17 0010



Cyprum

36 717 782-49 0010



Dark Platinum matte

36 717 782-99 0010

More custom finish options are available via special production (xTra Service). Please see our finish matrix for availability and pricing or contact a Dornbracht representative.

### Required article



35 707 970-90 0010

Rough for wall-mounted faucet spout in center -



35 712 970-90 0010

Rough for wall-mounted faucet flexible positioning -



35 713 970-90 0010

Rough for wall-mounted faucet spout on left -



35 714 970-90 0010

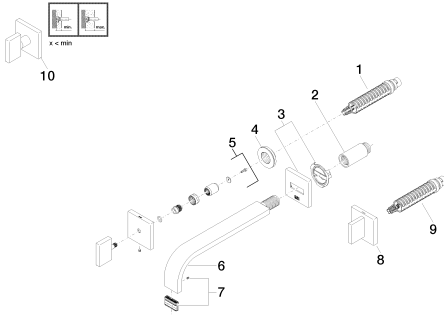
Rough for wall-mounted faucet spout on right -



## Sink - MEM

Wall-mounted three-hole lavatory mixer without drain - polished chrome

Article number: 36 717 782-00 0010



## Spare parts list

Number	Item Number	Designation	Number of units
1	90 90 03 156 00 90	Ceramic cartridge counter-clockwise closing -	1
2	09 24 03 081 10 90	Extension -	1
3	90 27 78 035 00-00	Cover - polished chrome	1
4	09 21 02 108 90	Hood / sleeve -	1
5	90 20 78 002 07-00	Handle - polished chrome	1
6	04 28 22 148 10-00	Outlet - polished chrome	1
7	90 29 03 118 00 90	Aerator -	1
8	90 20 78 002 06-00	Handle - polished chrome	1
9	90 90 03 157 00 90	Ceramic cartridge clockwise-closing -	1
10	04 20 78 002 01-00	Handle - polished chrome	1