



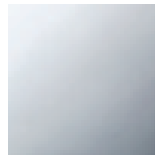
## Sink - IMO

Wall-mounted single-lever mixer without drain - polished chrome

Article number: 36 861 670-00

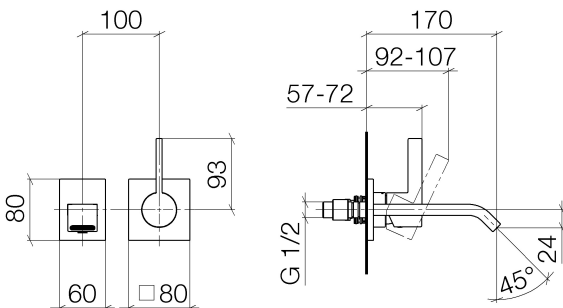


- 6-3/4" Projection
- Rigid spout
- Rectangular aerated stream
- Spout hole diameter 1-1/2"
- Hole diameter single-lever mixer 2-1/4"
- 3-1/8" x 2-3/8" flange for spout
- Flange for mixer 3-1/8" x 3-1/8"
- Water flow rate limited to max. 1.5 gpm
- lead-free
- (ADA)



polished chrome

## Dimensional drawing



All dimensions in mm / inch = mm x 0,0394

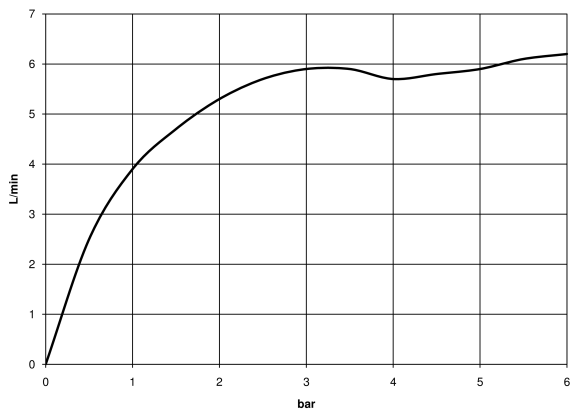


## Sink - IMO

Wall-mounted single-lever mixer without drain - polished chrome

Article number: 36 861 670-00

### Flow rate chart





## Sink - IMO

Wall-mounted single-lever mixer without drain - polished chrome

Article number: 36 861 670-00

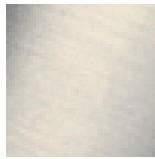
### Other surface finishes



polished chrome  
36 861 670-00 0010



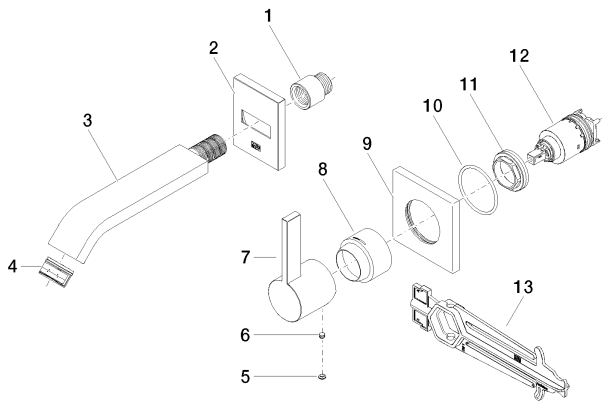
platinum matte  
36 861 670-06



platinum matte  
36 861 670-06 0010

More custom finish options are available via special production (xTra Service). Please see our finish matrix for availability and pricing or contact a Dornbracht representative.

### Spare parts list



Number	Item Number	Designation	Number of units
1	09 24 03 072 10 90	Extension -	1
2	90 27 67 005 00-00	DUMMY - polished chrome	1
3	04 28 22 243 00-00	Outlet - polished chrome	1
4	90 29 03 045 00 90	Aerator insert 32 x 8 mm -	1
5	90 31 20 087 00-00	Cover - polished chrome	1
6	04 31 11 112 00 90	Mounting bracket -	1
7	09 20 67 004-00	Lever - polished chrome	1
8	09 11 02 530-00	cover	1
9	09 27 78 039-00	Escutcheon - polished chrome	1
10	09 14 10 049 90	O-Ring 45,69 x 2,62 mm -	1
11	09 24 04 105 90	Mounting bracket -	1
12	90 15 05 064 01 90	cartridge	1
13	09 30 09 064 90	assembly wrench -	1