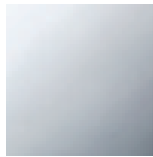




Kitchen sink - Series-various
Soap dispenser without flange - polished chrome
Article number: 82 424 970-00

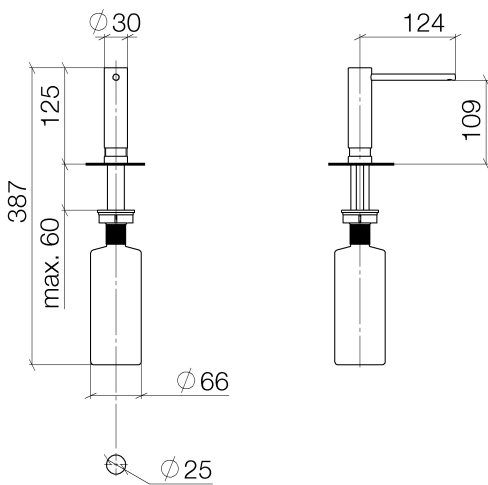


- 4-7/8" Projection
- 16.91 oz bottle capacity
- Refillable above countertop
- 360° swivel
- Height 4-7/8"
- Width 1-1/8"
- 1" hole diameter



polished chrome

Dimensional drawing



All dimensions in mm / inch = mm x 0,0394



Kitchen sink - Series-
various
Soap dispenser without flange - polished chrome
Article number: 82 424 970-00



Kitchen sink - Series-**various**
Soap dispenser without flange - polished chrome
Article number: 82 424 970-00

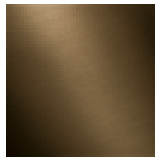
Other surface finishes



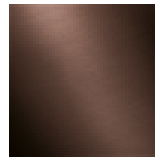
platinum matte
82 424 970-06



platinum
82 424 970-08



Dark Brass matte
82 424 970-16



Dark Bronze matte
82 424 970-17



Dark Platinum matte
82 424 970-99

More custom finish options are available via special production (xTra Service). Please see our finish matrix for availability and pricing or contact a Dornbracht representative.