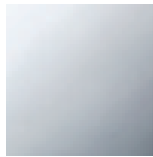




WC - Madison Flair
Tissue holder without cover - polished chrome
Article number: 83 500 361-00

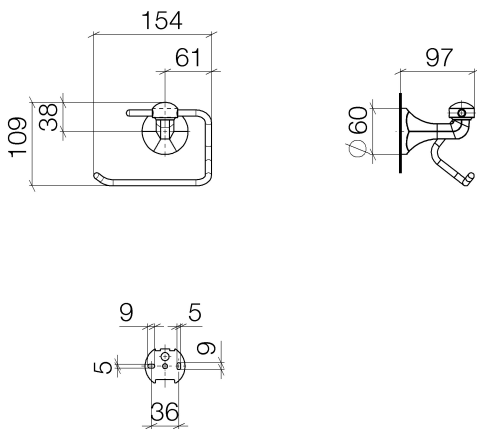


- Width 5-3/4"
- Height 4-3/4"
- 3-3/4" Projection



polished chrome

Dimensional drawing



All dimensions in mm / inch = mm x 0,0394



WC - Madison Flair

Tissue holder without cover - polished chrome

Article number: 83 500 361-00



WC - Madison Flair
Tissue holder without cover - polished chrome
Article number: 83 500 361-00

Other surface finishes



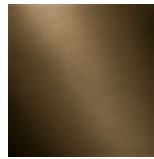
platinum matte
83 500 361-06



platinum
83 500 361-08



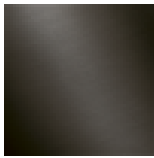
Durabrass
83 500 361-09



Dark Brass matte
83 500 361-16



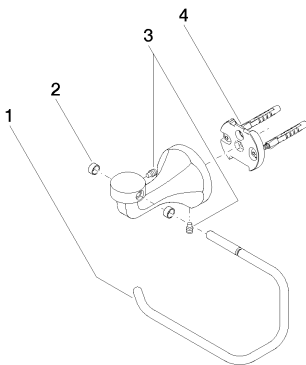
Dark Bronze matte
83 500 361-17



Dark Platinum matte
83 500 361-99

More custom finish options are available via special production (xTra Service). Please see our finish matrix for availability and pricing or contact a Dornbracht representative.

Spare parts list



Number	Item Number	Designation	Number of units
1	08 18 70 501-00	Holder - polished chrome	1
2	08 18 40 505 90	Hood / sleeve -	2
3	04 31 11 140 00 90	pin	2
4	05 17 97 507 00 90	Mounting bracket -	1