



## WC - MEM

Tissue holder without cover - polished chrome

Article number: 83 500 780-00

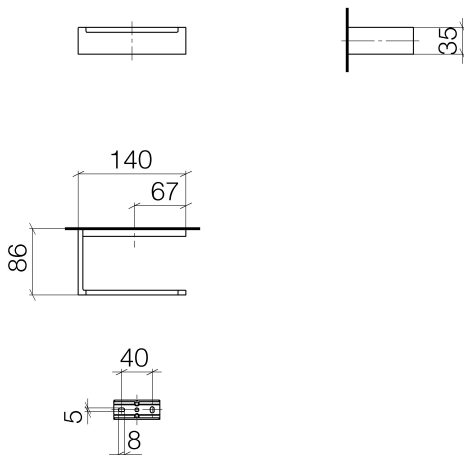


- Width 5-1/2"
- Height 1-3/8"
- 3-3/8" Projection



polished chrome

## Dimensional drawing



All dimensions in mm / inch = mm x 0,0394



WC - MEM

Tissue holder without cover - polished chrome

Article number: 83 500 780-00



## WC - MEM

Tissue holder without cover - polished chrome

Article number: 83 500 780-00

### Other surface finishes



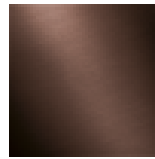
platinum matte  
83 500 780-06



platinum  
83 500 780-08



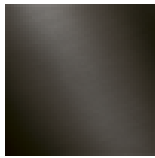
Dark Brass matte  
83 500 780-16



Dark Bronze matte  
83 500 780-17



Cyprum  
83 500 780-49



Dark Platinum matte  
83 500 780-99

More custom finish options are available via special production (xTra Service). Please see our finish matrix for availability and pricing or contact a Dornbracht representative.

### Spare parts list

Number	Item Number	Designation	Number of units
1	05 17 20 718 00 90	Mounting bracket -	1
2	04 31 11 112 00 90	Mounting bracket -	1

