



WC - Tara.

Tissue holder without cover - polished chrome

Article number: 83 500 892-00

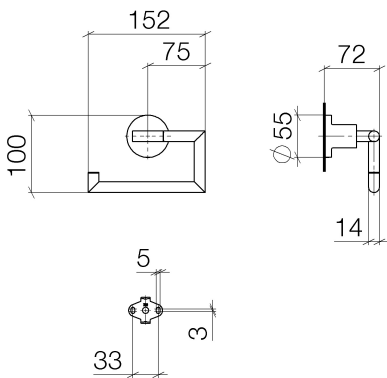


- Width 6"
- Height 3-7/8"
- Flange diameter 2-1/8"
- 2-7/8" Projection



polished chrome

Dimensional drawing



All dimensions in mm / inch = mm x 0,0394



WC - Tara.

Tissue holder without cover - polished chrome

Article number: 83 500 892-00



WC - Tara.

Tissue holder without cover - polished chrome

Article number: 83 500 892-00

Other surface finishes



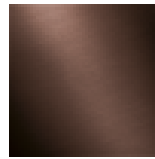
platinum matte
83 500 892-06



platinum
83 500 892-08



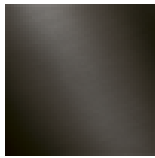
Dark Brass matte
83 500 892-16



Dark Bronze matte
83 500 892-17



black matte
83 500 892-33



Dark Platinum matte
83 500 892-99

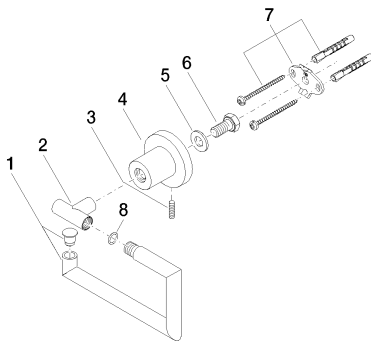
More custom finish options are available via special production (xTra Service). Please see our finish matrix for availability and pricing or contact a Dornbracht representative.



WC - Tara.

Tissue holder without cover - polished chrome

Article number: 83 500 892-00



Spare parts list

Number	Item Number	Designation	Number of units
1	90 28 22 640 00-00	Holder - polished chrome	1
2	05 17 89 552 00-00	Holder - polished chrome	1
3	04 31 11 113 00 90	Mounting bracket -	1
4	08 17 89 505-00	Holder - polished chrome	1
5	09 30 11 046 90	Washer -	1
6	09 30 30 071 90	Mounting bracket -	1
7	05 17 20 739 00 90	Mounting bracket -	1
8	09 14 10 042 90	Washer -	1