

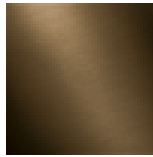


WC - VAIA

Reserve tissue holder - Dark Brass matte

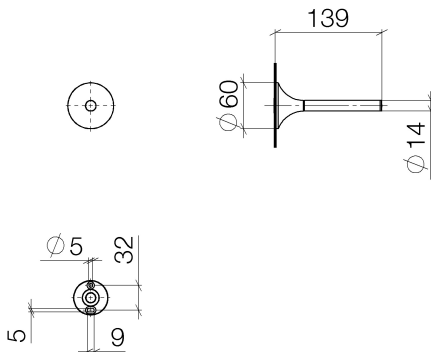
Article number: 83 590 809-16

- Width 2-3/8"
- Height 2-3/8"
- Flange diameter 2-3/8"
- 5-1/2" Projection



Dark Brass matte

Dimensional drawing



All dimensions in mm / inch = mm x 0,0394



WC - VAIA

Reserve tissue holder - Dark Brass matte

Article number: 83 590 809-16



WC - VAIA

Reserve tissue holder - Dark Brass matte

Article number: 83 590 809-16

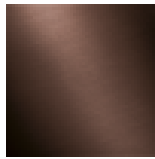
Other surface finishes



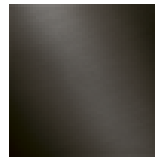
polished chrome
83 590 809-00



platinum matte
83 590 809-06



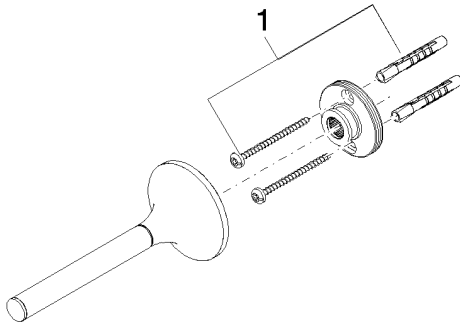
Dark Bronze matte
83 590 809-17



Dark Platinum matte
83 590 809-99

More custom finish options are available via special production (xTra Service). Please see our finish matrix for availability and pricing or contact a Dornbracht representative.

Spare parts list



Number	Item Number	Designation	Number of units
1	05 30 31 025 00 90	Mounting bracket -	1