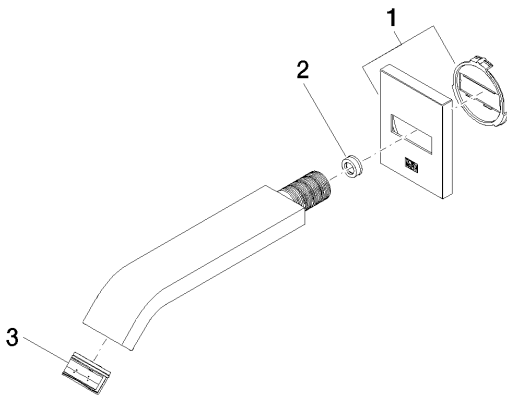


Sink - IMO

Lavatory spout, wall-mounted without drain - polished chrome

Article number: 13 800 670-00 0010

Spare parts list



Number	Item Number	Designation	Number of units
1	90 27 67 005 00-00	rosette	1
2	09 23 01 079 90	Application -	1
3	90 29 03 118 00 90	Aerator -	1