

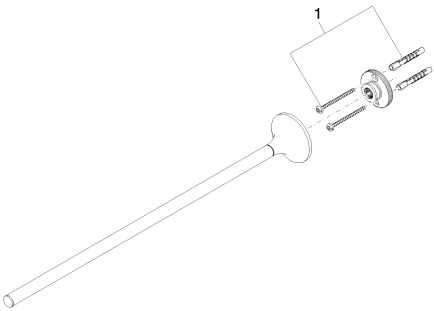


Sink - VAIA

Towel bar single-arm fixed - platinum matte

Article number: 83 211 809-06

Spare parts list



Number	Item Number	Designation	Number of units
1	05 30 31 025 00 90	Mounting bracket -	1