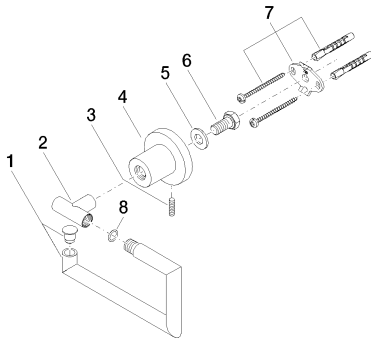


WC - Tara.

Tissue holder without cover - polished chrome

Article number: 83 500 892-00

Spare parts list



Number	Item Number	Designation	Number of units
1	90 28 22 640 00-00	Holder - polished chrome	1
2	05 17 89 552 00-00	Holder - polished chrome	1
3	04 31 11 113 00 90	Mounting bracket -	1
4	08 17 89 505-00	Holder - polished chrome	1
5	09 30 11 046 90	Washer -	1
6	09 30 30 071 90	Mounting bracket -	1
7	05 17 20 739 00 90	Mounting bracket -	1
8	09 14 10 042 90	Washer -	1