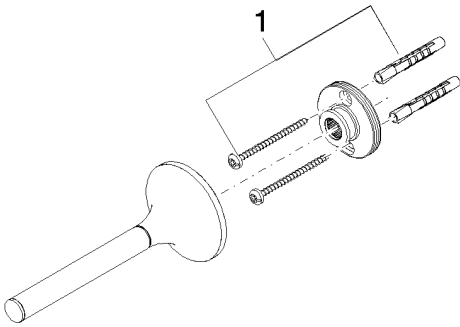


WC - VAIA

Reserve tissue holder - Dark Brass matte

Article number: 83 590 809-16

Spare parts list



| Number | Item Number | Designation | Number of units |
|--------|--------------------|--------------------|-----------------|
| 1 | 05 30 31 025 00 90 | Mounting bracket - | 1 |