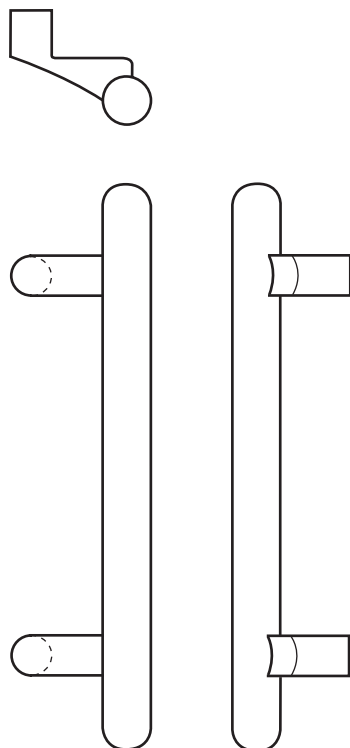


Rockwood RM1270 - Small Pulls without GripZone



Available Finishes:

- US10BE/613E
- US32/629
- US32D/630
- US32DMS

SIZE:

Diameter: $\frac{5}{8}$ "
Projection: $1 \frac{7}{8}$ "
CTC: Specify

Specifications:

MATERIAL:

Brass, Stainless Steel

POST:

Offset

END:

Round

CTC:

Any size made to order

OPTIONS:

Long lengths with multiple posts available

FASTENER:

Standard #8-32 x 1" Tapered Head Machine Screws