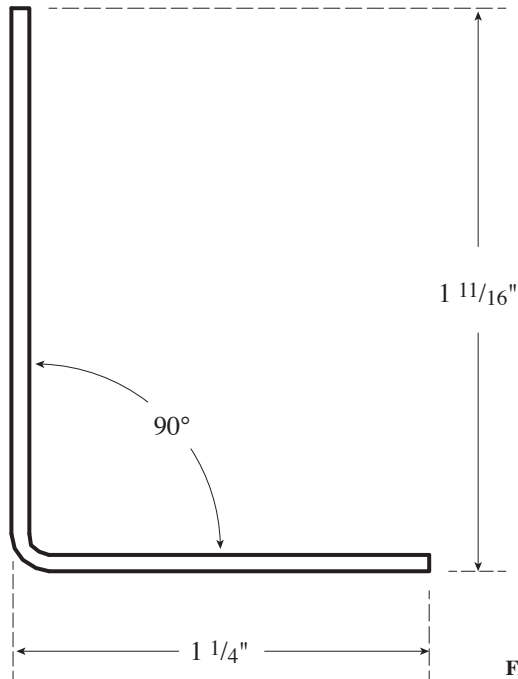


Rockwood 304 Non-Mortise Door Edge

The global leader in
door opening solutions

NOT TO SCALE



FASTENERS NOTE:
#6 x 5/8" Flat Head Sheet Metal Screws

Template T-304

Effective date: January 1, 2017
Supersedes: All Previous

NOTE: ASSA ABLOY reserves the right to make product changes and is not responsible for obsolete template errors. To ensure your template is current, please visit our website at www.rockwoodmfg.com or call us at 800-458-2424

MATERIAL: 1/20" Brass, Bronze, Prime Coated Steel, Stainless Steel