

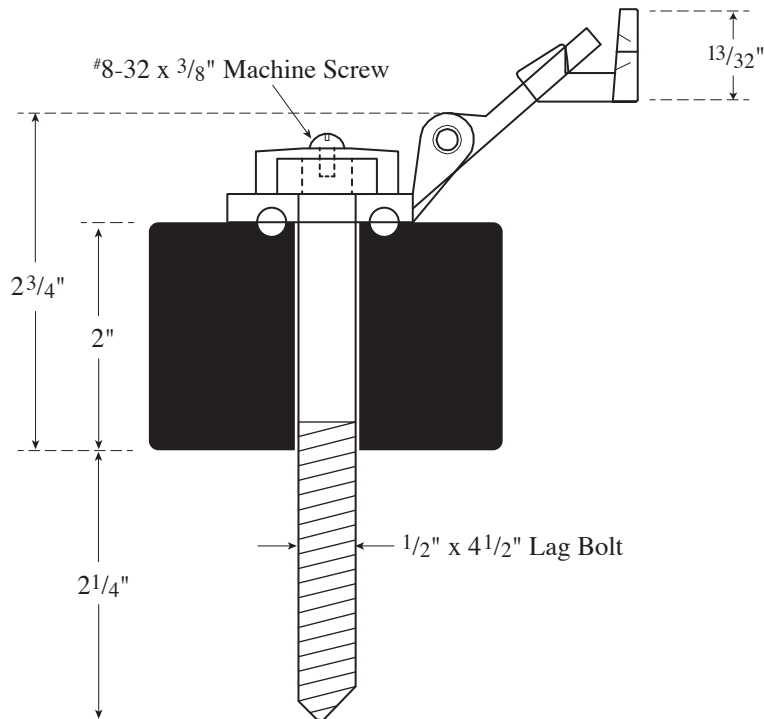
Architectural Door Accessories

ASSA ABLOY

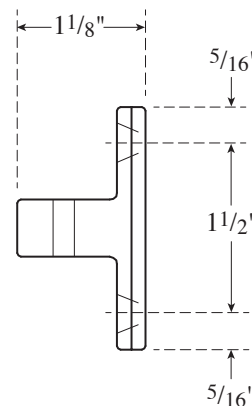
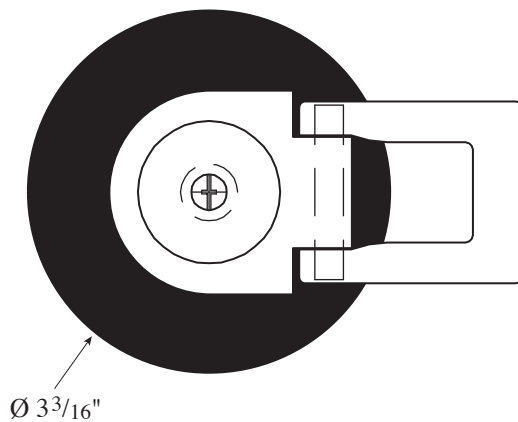
Rockwood 464-RKW Heavy Duty Stop and Holder

The global leader in
door opening solutions

NOT TO SCALE



1/2" x 3" Lead Shield



(two) #8 x 1 1/4" Sheet Metal Screws

Template T-464-RKW

Effective date: January 1, 2017
Supersedes: All Previous

NOTE: ASSA ABLOY reserves the right to make product changes and is not responsible for obsolete template errors. To ensure your template is current, please visit our website at www.rockwoodmfg.com or call us at 800-458-2424