

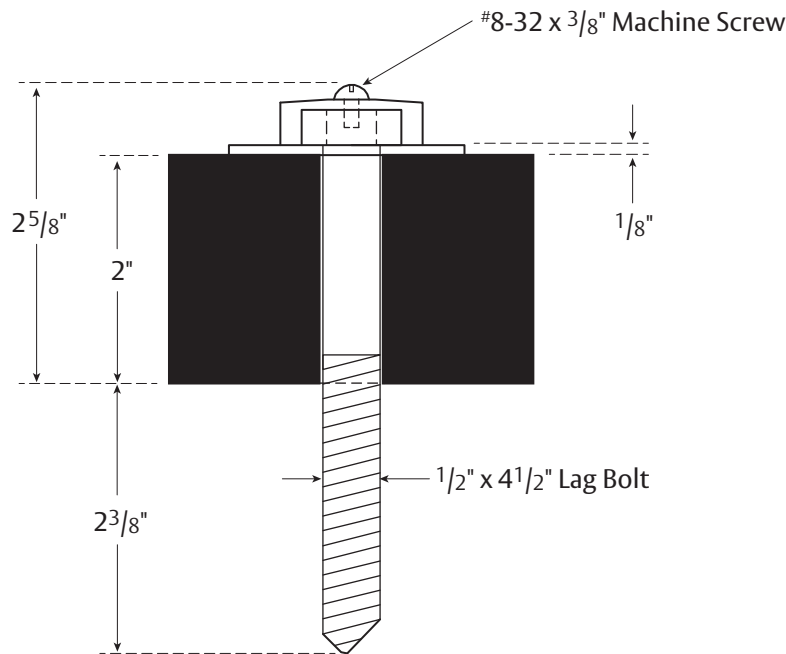
# Architectural Door Accessories

**ASSA ABLOY**

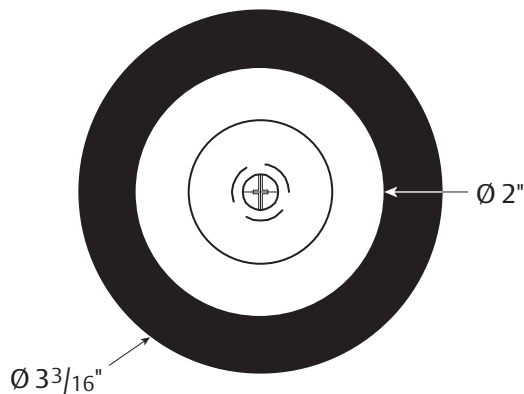
## Rockwood 465-RKW Heavy Duty Stop and Holder

The global leader in  
door opening solutions

NOT TO SCALE



1/2" x 3" Lead Shield



## Template T-465-RKW

**Effective date:** January 1, 2017  
**Supersedes:** All Previous

NOTE: ASSA ABLOY reserves the right to make product changes and is not responsible for obsolete template errors. To ensure your template is current, please visit our website at [www.rockwoodmfg.com](http://www.rockwoodmfg.com) or call us at 800-458-2424