

Architectural Door Accessories

ASSA ABLOY

Rockwood 491-RKW Automatic Door Stop & Holder

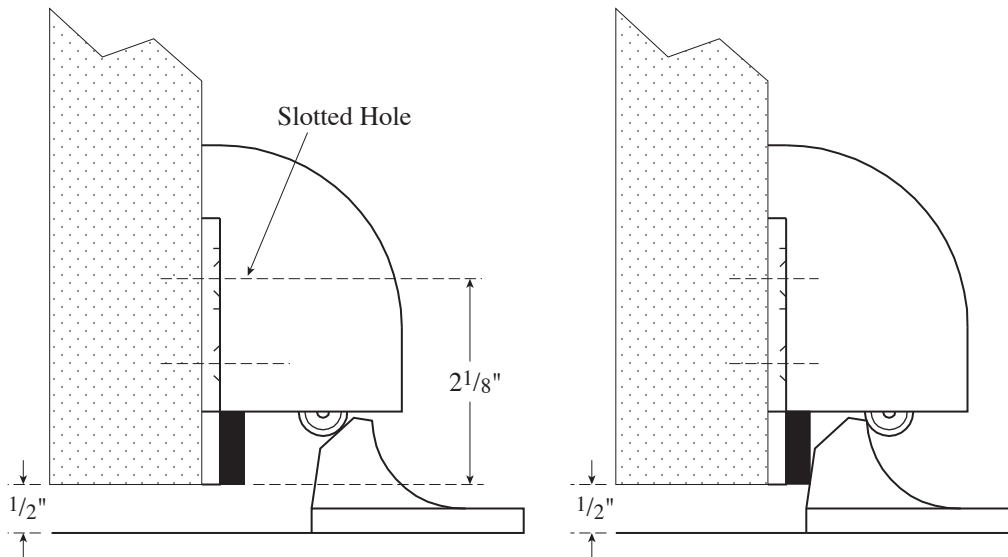
The global leader in
door opening solutions

NOT TO SCALE

Template T-491-RKW

Effective date: January 1, 2017
Supersedes: All Previous

NOTE: ASSA ABLOY reserves the right to make product changes and is not responsible for obsolete template errors. To ensure your template is current, please visit our website at www.rockwoodmfg.com or call us at 800-458-2424



FASTENERS

#491 - (three) #12 x 1 1/4" flat head wood screws, (three) plastic anchors and (four) #10 x 1 1/4" flat head wood screws.

#491R - (three) #12-24 x 1" flat head machine screws, (three) lead anchors and (four) #10 x 1 1/4" flat head wood screws.

#491S - (three) #12 x 1" flat head machine screws, (three) lead anchors, (four) #10 x 1" flat head machine screws and (four) #10-24 x 1 3/8" sex bolts.

The #491 is intended for doors with 1/2" clearance under the door.

DRILL SIZE CHART		
#12 Wood Screw	9/64" Soft Wood	5/32" Hard Wood
#10 Wood Screw	1/8" Soft Wood	9/64" Hard Wood
#12 Plastic Anchor	9/32"	
#12 Lead Anchor	1/2"	
#10 Sex Bolt	5/16"	

NOTE: Special order risers are available in situations where there is more than 1/2" clearance.

300 Main Street
Rockwood, Pennsylvania 15557
P: 800.458.2424 | F: 800.922.9212
www.rockwoodmfg.com | orders.rockwood@assaabloy.com

Copyright © 2017, Rockwood Manufacturing Company, an ASSA ABLOY Group company. All rights reserved.
Reproduction in whole or in part without the express written permission of Rockwood Manufacturing Company is prohibited.

T-491-RKW - 1/17