

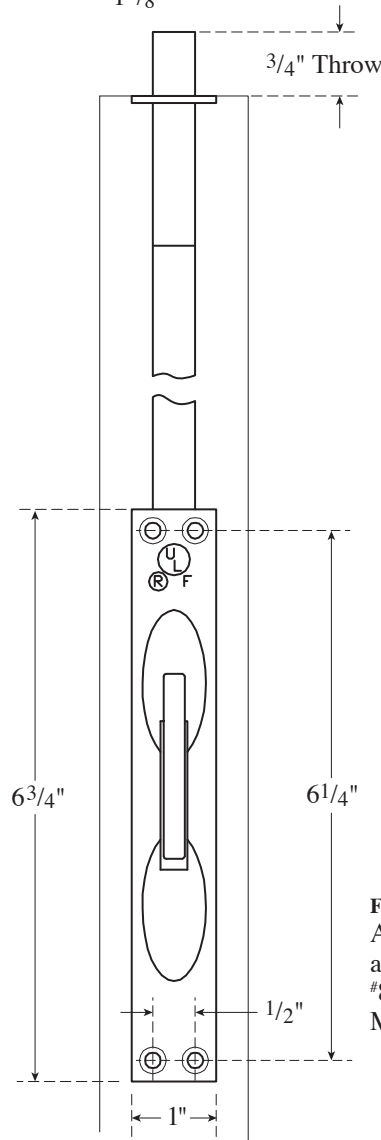
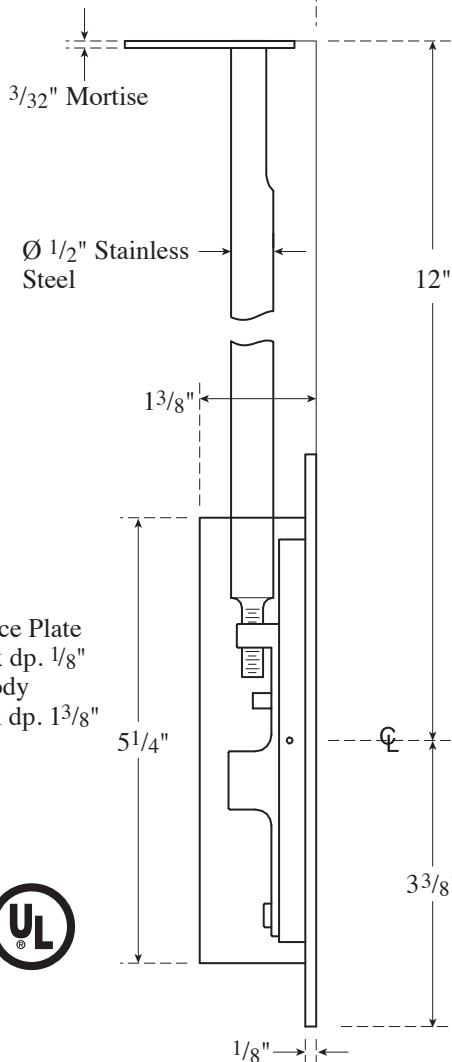
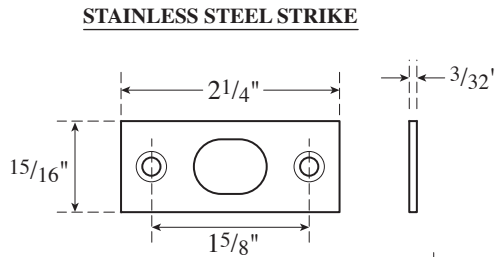
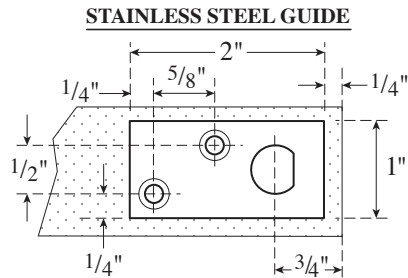
Architectural Door Accessories

ASSA ABLOY

Rockwood 556WS Lever Extension Wind Storm Flush Bolt

The global leader in
door opening solutions

NOT TO SCALE



Mortise Face Plate
1" x 6 3/4" x dp. 1/8"
Mortise Body
1" x 5 1/4" x dp. 1 3/8"



FASTENERS NOTE:
All screws supplied
are Stainless Steel
#8-32 x 1/4" Flat Head
Machine Screws

Template T-556WS

Effective date: January 1, 2017
Supersedes: All Previous

NOTE: ASSA ABLOY reserves the right to make product changes and is not responsible for obsolete template errors. To ensure your template is current, please visit our website at www.rockwoodmfg.com or call us at 800-458-2424