

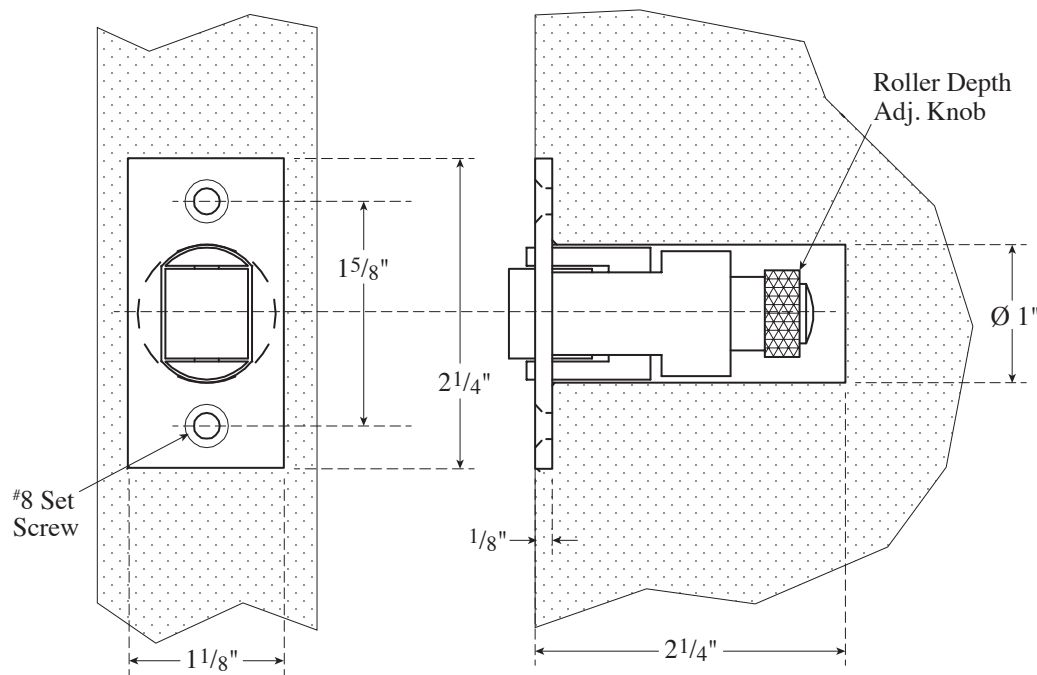
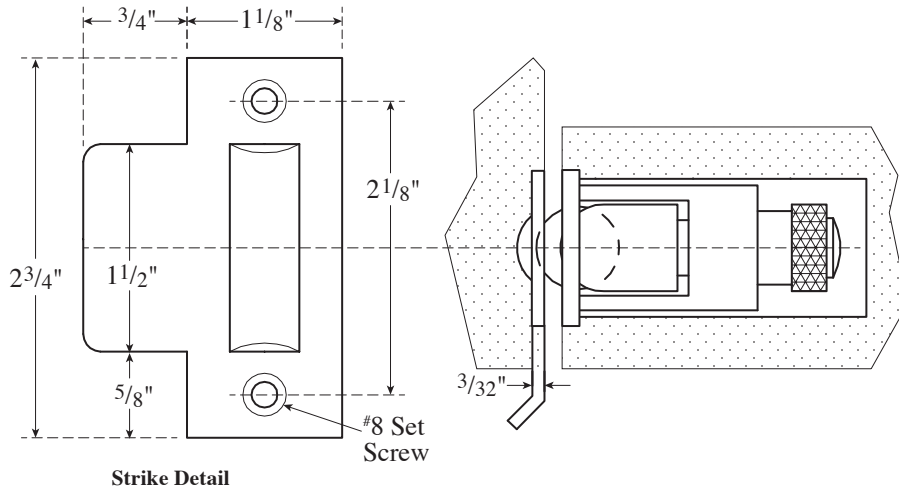
Architectural Door Accessories

ASSA ABLOY

Rockwood 594 Roller Latch

The global leader in
door opening solutions

NOT TO SCALE



Template T-594

Effective date: January 1, 2017
Supersedes: All Previous

NOTE: ASSA ABLOY reserves the right to make product changes and is not responsible for obsolete template errors. To ensure your template is current, please visit our website at www.rockwoodmfg.com or call us at 800-458-2424

The roller latch can be mounted into the door and the strike into the frame or the strike can be mounted into the door and the roller latch into the frame depending on individual choice. Side jamb or header mounted.

Drill Ø 1" hole x dp. 2 1/4" for roller latch and mortise W 1 1/8" x H 2 1/4" x dp. 1/8" for face plate.

Mortise strike W 1 1/8" x H 2 3/4" x dp. 3/32" mortise W 1/2" x H 1 3/4" x dp. 7/32" center section for roller groove.

300 Main Street
Rockwood, Pennsylvania 15557
P: 800.458.2424 | F: 800.922.9212
www.rockwoodmfg.com | orders.rockwood@assaabloy.com

Copyright © 2017, Rockwood Manufacturing Company, an ASSA ABLOY Group company. All rights reserved.
Reproduction in whole or in part without the express written permission of Rockwood Manufacturing Company is prohibited.

T-594 - 1/17