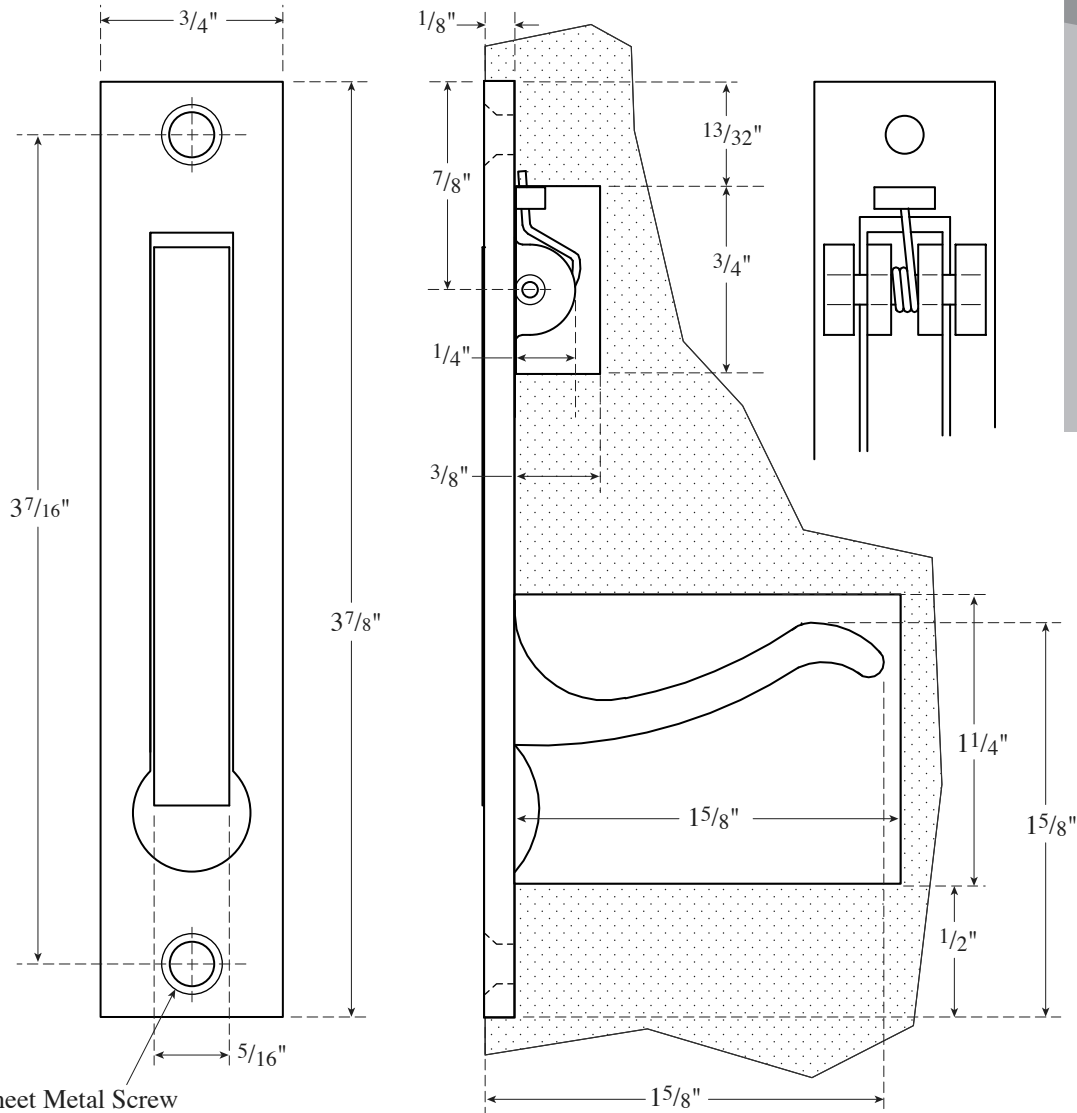


Rockwood 880 Cast Edge Pull

The global leader in
door opening solutions

NOT TO SCALE



#6 x 1 Sheet Metal Screw
Drill 3/32" soft wood, 7/64" hard wood

Mortise: (face) 3/4" x 37/8" x dp. 1/8"; (small pocket) 3/4" x 3/4" x dp. 3/8"; (big pocket) 3/4" x 1 1/4" x dp. 15/8"

Template T-880

Effective date: January 1, 2017
Supersedes: All Previous

NOTE: ASSA ABLOY reserves the right to make product changes and is not responsible for obsolete template errors. To ensure your template is current, please visit our website at www.rockwoodmfg.com or call us at 800-458-2424