

# Architectural Door Accessories

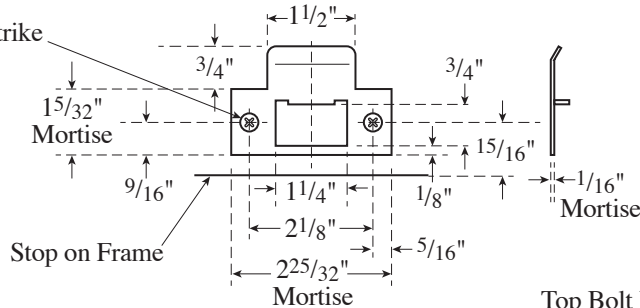
**ASSA ABLOY**

## Rockwood 2805 Self Latching Top Bolt

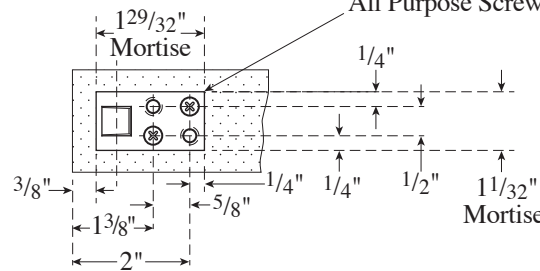
The global leader in  
door opening solutions

NOT TO SCALE

Frame Lip Strike  
(two) #8 x 1"  
All Purpose  
Screws



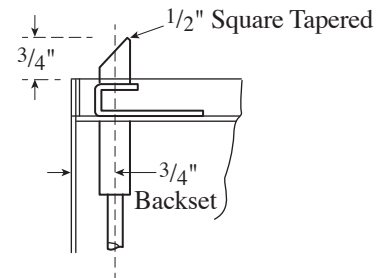
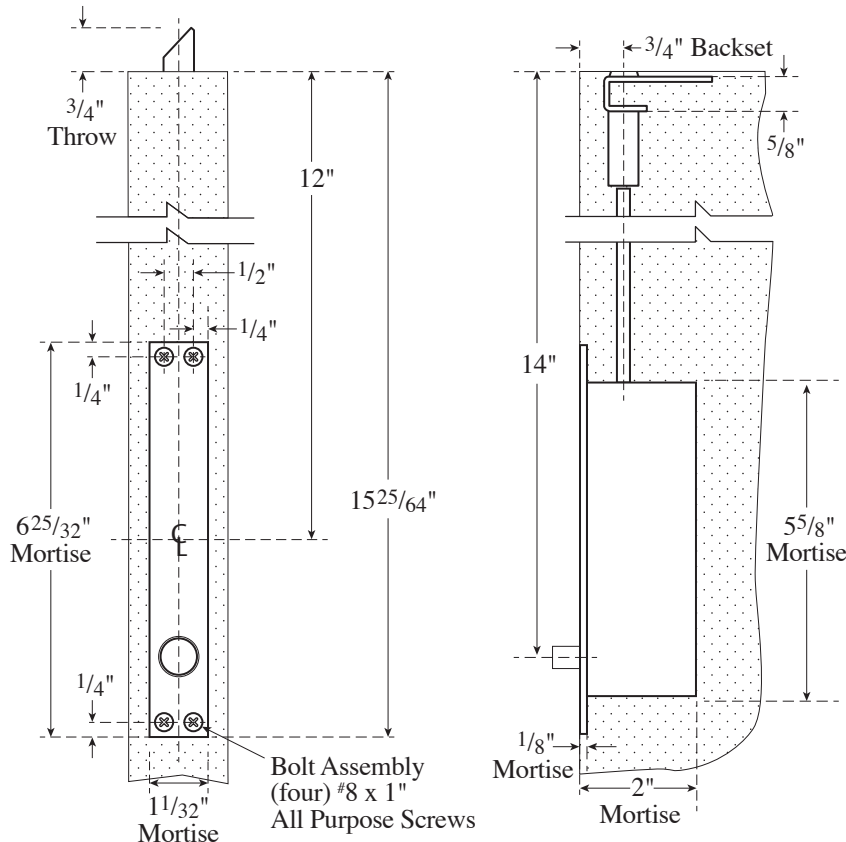
Top Bolt Head Guide  
(two) #8 x 1"  
All Purpose Screws



### Template T-2805

**Effective date:** January 1, 2017  
**Supersedes:** All Previous

NOTE: ASSA ABLOY reserves the right to make product changes and is not responsible for obsolete template errors. To ensure your template is current, please visit our website at [www.rockwoodmfg.com](http://www.rockwoodmfg.com) or call us at 800-458-2424



Door with Recessed Top or Bottom

NOTE: When two point engaging with latching action is required, it is recommended that one constant self latching flush bolt be used with one auto flush bolt. Self latching flush bolt should be installed at top of door.



300 Main Street  
Rockwood, Pennsylvania 15557  
P: 800.458.2424 | F: 800.922.9212  
[www.rockwoodmfg.com](http://www.rockwoodmfg.com) | [orders.rockwood@assaabloy.com](mailto:orders.rockwood@assaabloy.com)

Copyright © 2017, Rockwood Manufacturing Company, an ASSA ABLOY Group company. All rights reserved. Reproduction in whole or in part without the express written permission of Rockwood Manufacturing Company is prohibited.