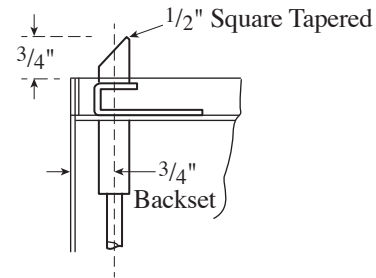
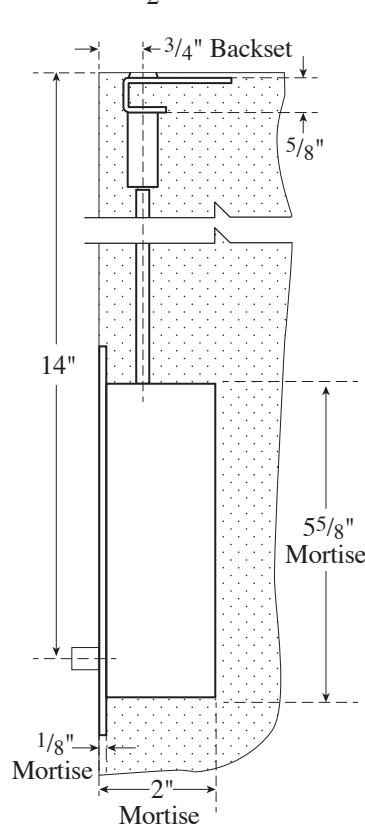
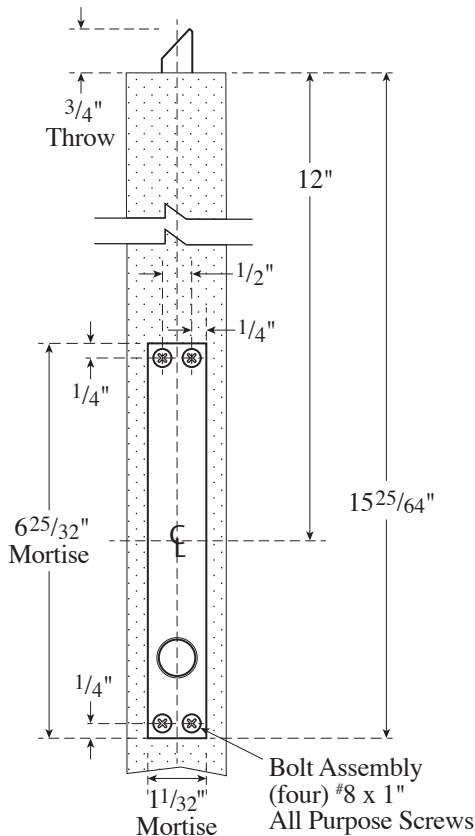
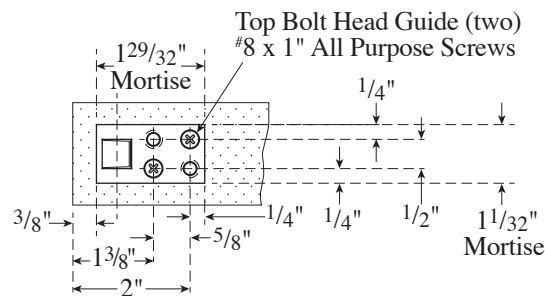
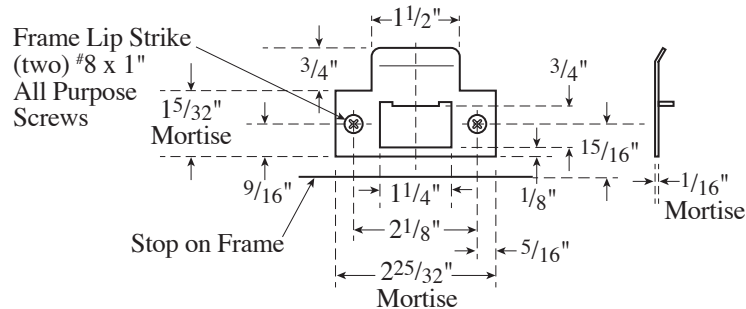


## Rockwood 2845 Combination Flush Bolt Set

The global leader in  
door opening solutions

NOT TO SCALE

TOP BOLT SHOWN



Door with Recessed Top or Bottom

NOTE: When two point engaging with latching action is required, it is recommended that one constant self latching flush bolt be used with one auto flush bolt. Self latching flush bolt should be installed at top of door.



## Template T-2845 CFB

Effective date: January 1, 2017  
Supersedes: All Previous

NOTE: ASSA ABLOY reserves the right to make product changes and is not responsible for obsolete template errors. To ensure your template is current, please visit our website at [www.rockwoodmfg.com](http://www.rockwoodmfg.com) or call us at 800-458-2424

# Rockwood 2845 Combination Flush Bolt Set (cont.)

**BOTTOM BOLT SHOWN**

