

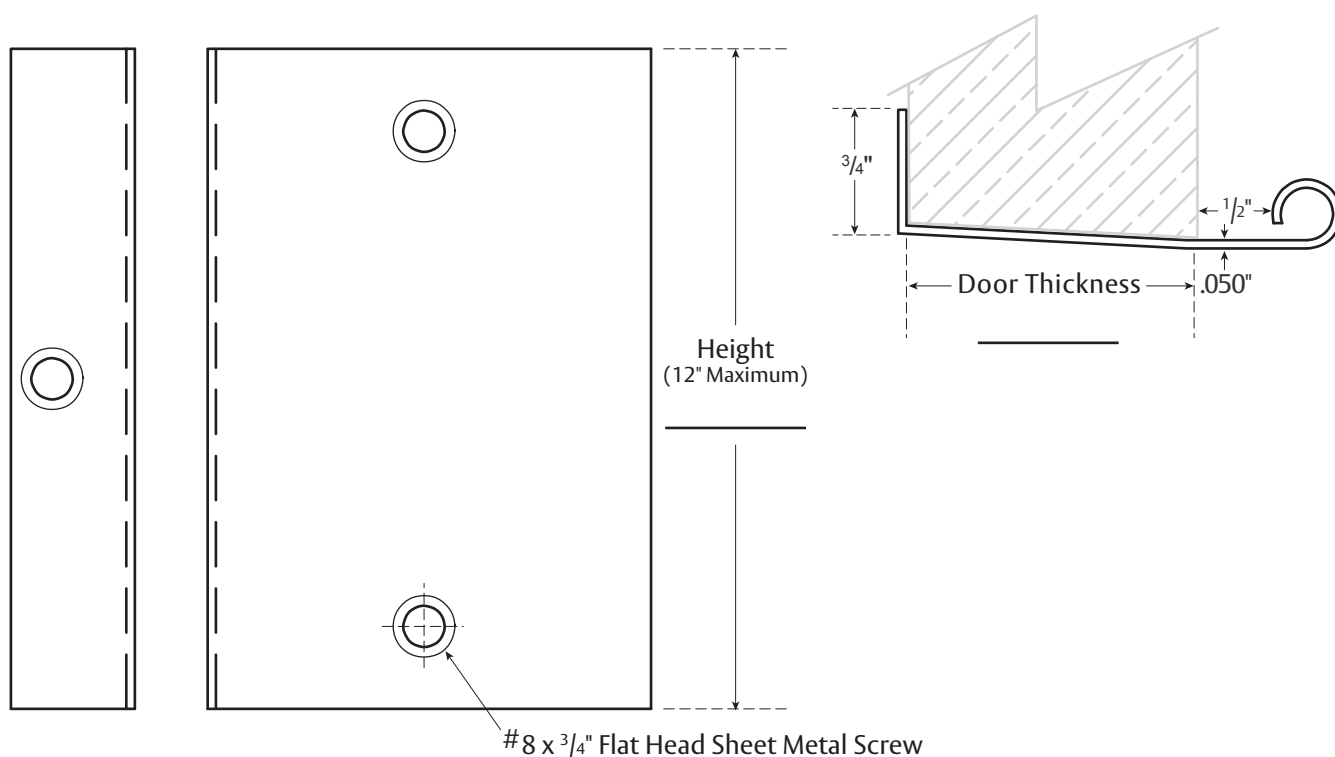
## Rockwood RM754 Bevel Edge Pull Order Form

Experience a safer  
and more open world

Complete this form and email to: [orders.rockwood@assaabloy.com](mailto:orders.rockwood@assaabloy.com) / or fax to: 800.922.9212

### Customer Information

Company Name: \_\_\_\_\_ Date: \_\_\_\_\_  
 Account #: \_\_\_\_\_ Phone/Fax: \_\_\_\_\_ / \_\_\_\_\_  
 Email: \_\_\_\_\_ PO #: \_\_\_\_\_ Order Line #: \_\_\_\_\_



**Quantity:** \_\_\_\_\_ **Finish:** \_\_\_\_\_

**Customer Note:** If solid edge required please specify size:     A =  $\varnothing 5/16"$      B =  $\varnothing 3/8"$      C =  $\varnothing 1/2"$

**Customer Note:** Please specify thickness of any cladding material being used on the door.

**Your signature indicates the information contained on this order form is accurate and ready to be manufactured.**

(customer signature) \_\_\_\_\_ (date) \_\_\_\_\_