

Rockwood BFLG1050 Vertical Rod Latch Guard Cover

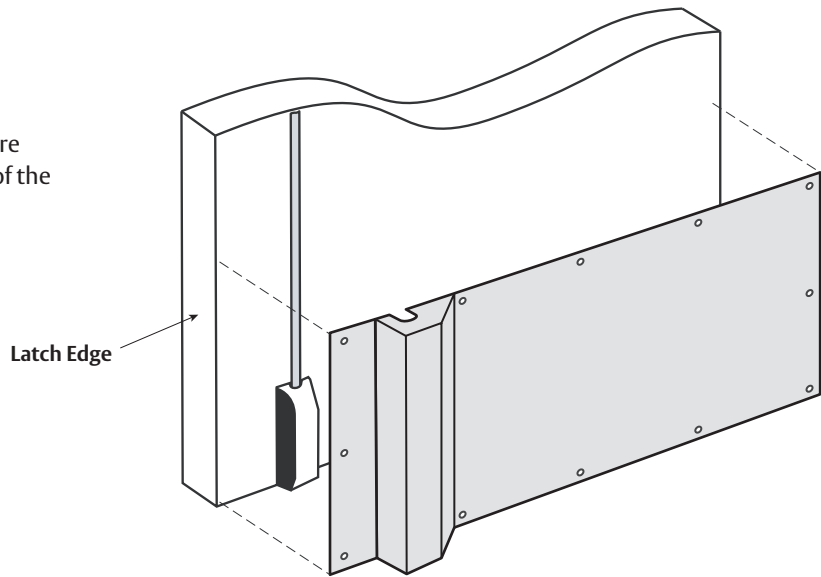
The global leader in
door opening solutions

For Installation Assistance, Call Rockwood Products at 800-458-2424 • www.assaabloydooraccessories.us

The Rockwood BFLG1050 Vertical Rod Latch Guard Cover will cover a bottom latch that is up to W 2 1/4" x 2 1/8" projection.

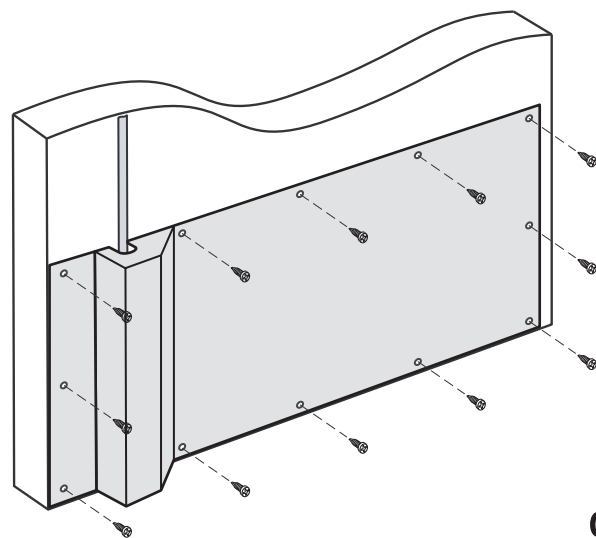
Position Latch Guard

Position Latch Guard over latch and ensure latch edge is square with the latch edge of the door.



Mount Latch Guard

Mount the latch side to the door with three #10 x 5/8" pan head self-drilling (Tek) screws. Then work across the plate using the #10 x 5/8" (Tek) screws to fully secure onto door.



NOT TO SCALE

