

Rockwood BFLG Latch Guards

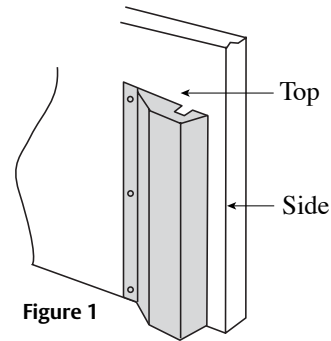
The global leader in
door opening solutions

For Installation Assistance, Call Rockwood Products at 800-458-2424 • www.assaabloydooraccessories.us

The Rockwood BFLG Series Latch Guard will cover a bottom latch that is up to W 2 1/4" x 2 1/8" projection.

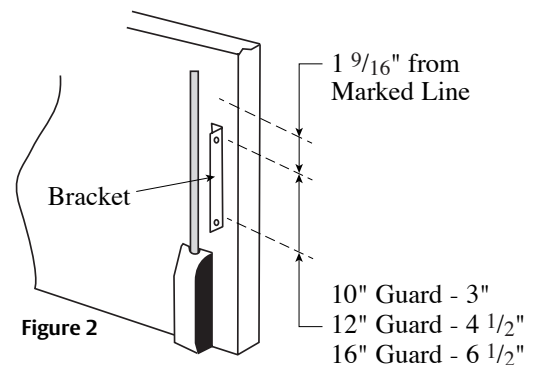
1. Position Latch Guard

(Figure 1) Hold the latch guard cover in place and mark the outside edge, both top and side, for reference during installation of the latch guard bracket.



2. Position Latch Guard Bracket

(Figure 2) Locate the latch guard bracket 1/16" inside of the line made in step 1 to allow for the thickness of the cover. Select the leg of the angle bracket that is W 1" and use the prepunched $\text{Ø } 3/16"$ holes as a template. Then drill and tap the two #8-32 holes in the door for the mounting bracket.

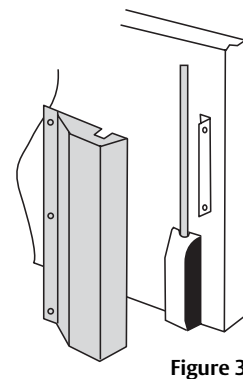


3. Mount Latch Guard Bracket

(Figure 2) Mount the bracket with two #8-32 pan head machine screws.

4. Mount Latch Guard

(Figure 3) Mount cover to bracket with two #8-32 pan head machine screws and then using the cover as a template, drill and tap the remaining (3) holes #8-32 in the door. Finish mounting the cover with (3) #8-32 pan head machine screws.



NOT TO SCALE

300 Main Street
Rockwood, Pennsylvania 15557
P: 800.458.2424 | F: 800.922.9212
www.assaabloydooraccessories.us | orders.rockwood@assaabloy.com

Copyright © 2018, ASSA ABLOY Accessories and Door Controls Group, Inc. All rights reserved. Reproduction in whole or in part without the express written permission of ASSA ABLOY Accessories and Door Controls Group, Inc. is prohibited.