

Rockwood BFLG1050

Vertical Rod Latch Guard Cover

Experience a safer
and more open world

Complete this form and email to: orders.rockwood@assaabloy.com / or fax to: 800.922.9212

Customer Information

Company Name: _____ Date: _____

Account #: _____ Phone/Fax: _____ / _____

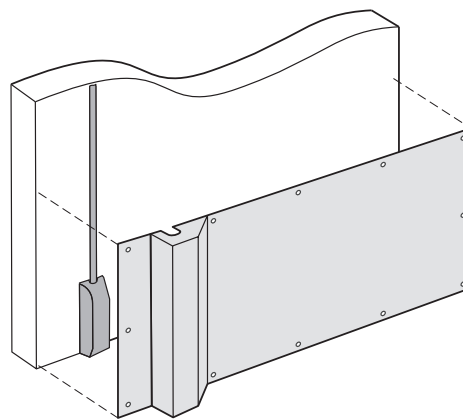
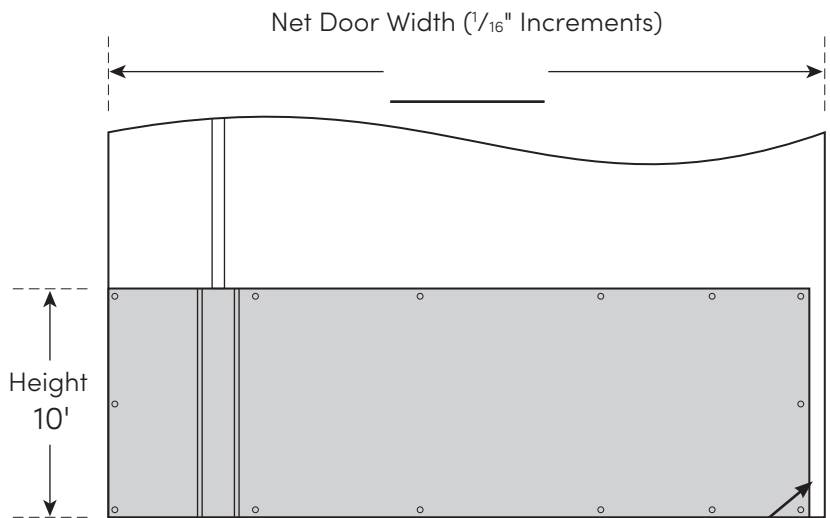
Email: _____ PO #: _____ Line #: _____

Quantity: _____

Finish: _____

Handing: LHR RHR

Note: All BFLG1050s are UL rated.
Maximum door width is 47 1/8".



Product is 5/8" less than door width.



Your signature indicates the information contained on this order form is accurate and ready to be manufactured.

_____ (customer signature)

_____ (date)

NOT TO SCALE

Rockwood Manufacturing Company
300 Main St.
Rockwood, PA 15557
www.rockwoodmfg.com
1 800 458 2424