

# Multipoint Trim Product Data

## American Cylinder Above (ACA)\*

Solid Brass Designs



71000ACA

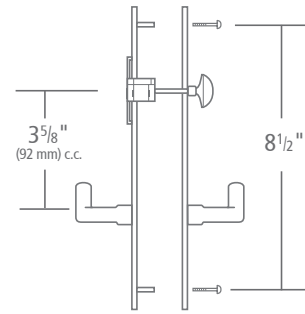


72000ACA

Stainless Steel



73000ACA



\* Position of cylinder is 3 5/8" (92 mm) center-to-center from lever hole.

† 73000 plate is 9 1/2"

## American Cylinder Below (ACB)\*

Solid Brass Designs



71000ACB

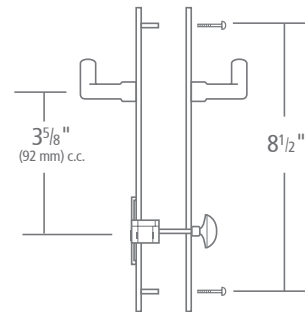


72000ACB

Stainless Steel



73000ACB



\* Position of cylinder is 3 5/8" (92 mm) center-to-center from lever hole.

† 73000 plate is 9 1/2"

## European Cylinder Below (ECB)\*

Solid Brass Designs



71000ECB

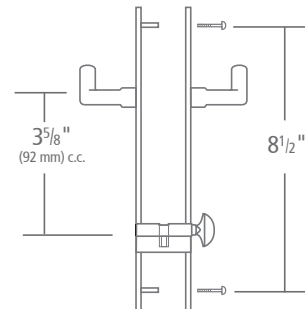


72000ECB

Stainless Steel



73000ECB



\* Position of cylinder is 3 5/8" (92 mm) center-to-center from lever hole.

† 73000 plate is 9 1/2"

## Turnpiece & Cylinder Components

### American Cylinder Above (ACA) & American Cylinder Below (ACB)



**No. 103**  
Ships standard with 71000 plate for American Cylinder.



**No. 102**  
Ships standard with 72000 plate for American Cylinder.



**No. 6000**  
Ships standard with 73000 plate for American Cylinder.



**No. 1599**  
American Cylinder



**American Cylinder Collar**

MPCH/RA (Rect.)  
MPCH/OA (Oval)

### European Cylinder Below (ECB)



**No. 805/41**  
European Cylinder  
Turnpiece only for patio function



**No. 805/82**  
European Cylinder  
Turnpiece cylinder by key for entrance



**European Cylinder Collar**

MPCH/RP (Rect.)  
MPCH/OP (Oval)

# Multipoint Trim Product Data

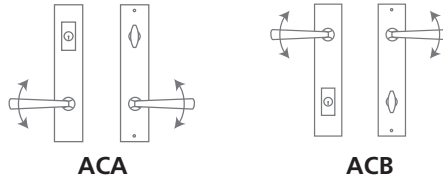
## Functions

### ACA or ACB

#### Entry Function – ACA or ACB with American Cylinder

##### Set includes:

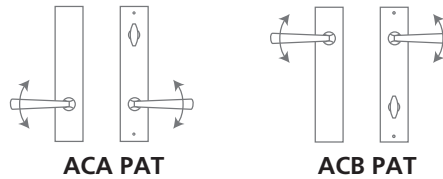
- 2 Backplates
- 1 Cylinder Collar mounted 3<sup>5</sup>/<sub>8</sub>" (92 mm) c.c. above or below the lever handles
- 2 Levers with spindles
- 1 American Cylinder with a lazy tailpiece
- 1 Turnpiece
- 2 Thru-bolt screws



Active levers both sides.  
Key outside, by turnpiece inside.

#### Patio Function (PAT) – ACA or ACB

- 2 Backplates
- 2 Levers with spindles
- 1 Turnpiece
- 2 Thru-bolt screws



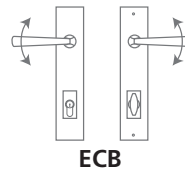
Active levers both sides.  
Turnpiece inside.

### ECB

#### Entry Function – ECB with a European (Profile) Cylinder

##### Set includes:

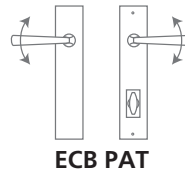
- 2 Backplates
- 2 Cylinder Collars mounted 3<sup>5</sup>/<sub>8</sub>" (92 mm) c.c. below the lever handles
- 2 Levers with spindles
- 1 European Profile Cylinder with key outside, turnpiece inside
- 2 Thru-bolt screws



Active levers both sides. Key outside, by turnpiece inside.

#### Patio Function (PAT) – ECB

- 2 Backplates
- 2 Levers with spindles
- 1 Turnpiece Cylinder
- 2 Thru-bolt screws

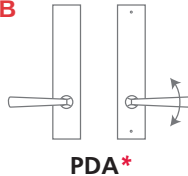


Active levers both sides.  
Turnpiece inside.

### Pair Dummy ACA, ACB or ECB

#### Pair Dummy Active (PDA) – ACA, ACB or ECB

- 2 Backplates
- 2 Levers with spindles
- 2 Thru-bolt screws

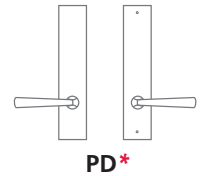


Active lever inside, by inactive lever outside.

PDA\*

#### Pair Dummy (PD) – ACA, ACB or ECB

- 2 Backplates
- 2 Levers with spindles
- 2 Thru-bolt screws



Inactive levers both sides.

PD\*

\*Drawing shows ACA only. Also available as ACB or ECB.

Thru-Bolting Mounting Screws are in a fixed location and cannot be modified. In some cases, new thru-bolting holes are required to be drilled at 8<sup>1</sup>/<sub>2</sub>" (216 mm) c.c. (9<sup>1</sup>/<sub>2</sub>" (242 mm) c.c. for 73000 plate). In most cases, our backplates will cover any existing thru-bolting holes. Our trim is intended to replace standard trim shipped by most door manufacturers.

### Backplate Dimensions:

#### 71000 SERIES

- 9<sup>5</sup>/<sub>8</sub>" (244 mm) Long
- 1<sup>3</sup>/<sub>4</sub>" (44 mm) Wide
- 1/2" (12.5 mm) Projection
- 8<sup>1</sup>/<sub>2</sub>" (216 mm) c.c. Thru-Bolting

#### 72000 SERIES

- 9<sup>13</sup>/<sub>16</sub>" (250 mm) Long
- 2" (50 mm) Wide
- 1/2" (12.5 mm) Projection
- 8<sup>1</sup>/<sub>2</sub>" (216 mm) c.c. Thru-Bolting

#### 73000 SERIES

- 11" (280 mm) Long
- 1<sup>5</sup>/<sub>8</sub>" (40 mm) Wide
- 7/16" (10 mm) Projection
- 9<sup>1</sup>/<sub>2</sub>" (242 mm) c.c. Thru-Bolting