

Stainless Steel Metro & Urban Tubular Deadbolt Handlesets

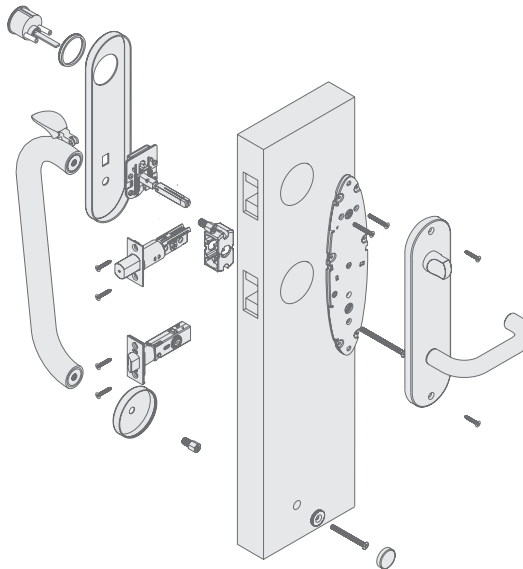
Available with two backset options – 2³/₈" or 2³/₄" (2³/₈" backset shipped standard). Please specify when ordering.

Features

Our stainless steel tubular deadbolt handlesets each consist of a set of exterior trim, lever interior trim as selected, extra heavy duty tubular latch designed for levers and spindle, deadbolt assembly, cylinder, all necessary mounting screws and template. Available with two backset options – 2³/₈" or 2³/₄" (2³/₈" backset shipped standard). Please specify when ordering.

Lock Options

- Panic Proof Entry – F
- Pair Dummy – PD
- Single Dummy Exterior – SDE
- Single Dummy Interior – SDI



Metro Dimensions

5¹/₂" center to center
Exterior (Top Plate) and Interior:
 10¹/₄" x 2⁹/₁₆" x 7⁷/₁₆"
Exterior (Bottom Rose): 2¹/₁₆" diameter
 Overall:
Exterior: Length 16⁷/₈" x 3⁵/₁₆" projection
Interior: Length 10¹/₄" x 2⁷/₈" projection

Urban Dimensions

5¹/₂" center to center
Exterior (Top Plate) and Interior:
 10¹/₂" x 2¹/₂" x 7⁷/₁₆"
Exterior (Bottom Rose): 2" square
 Overall:
Exterior: Length 16³/₄" x 2³/₈" projection
Interior: Length 10¹/₂" x 2⁵/₈" projection



METRO

Tubular Deadbolt Lockset
 5-1/2" Center to Center

Interior Trim with 11 Lever

Function*	US32D
F	\$511
PD	234
SDE	166
SDI	75

Interior Trim with 12 Lever

Function*	US32D
F	\$512
PD	235
SDE	166
SDI	76



URBAN

Tubular Deadbolt Lockset
 5-1/2" Center to Center

Interior Trim with 12 Lever

Function*	US32D
F	\$524
PD	269
SDE	194
SDI	84

Interior Trim with 43 Lever

Function*	US32D
F	\$569
PD	315
SDE	194
SDI	128

*F = Panic-Proof | PD = Pair Dummy | SDE = Single Dummy Exterior | SDI = Single Dummy Interior | Suggested retail prices effective January 1, 2019.