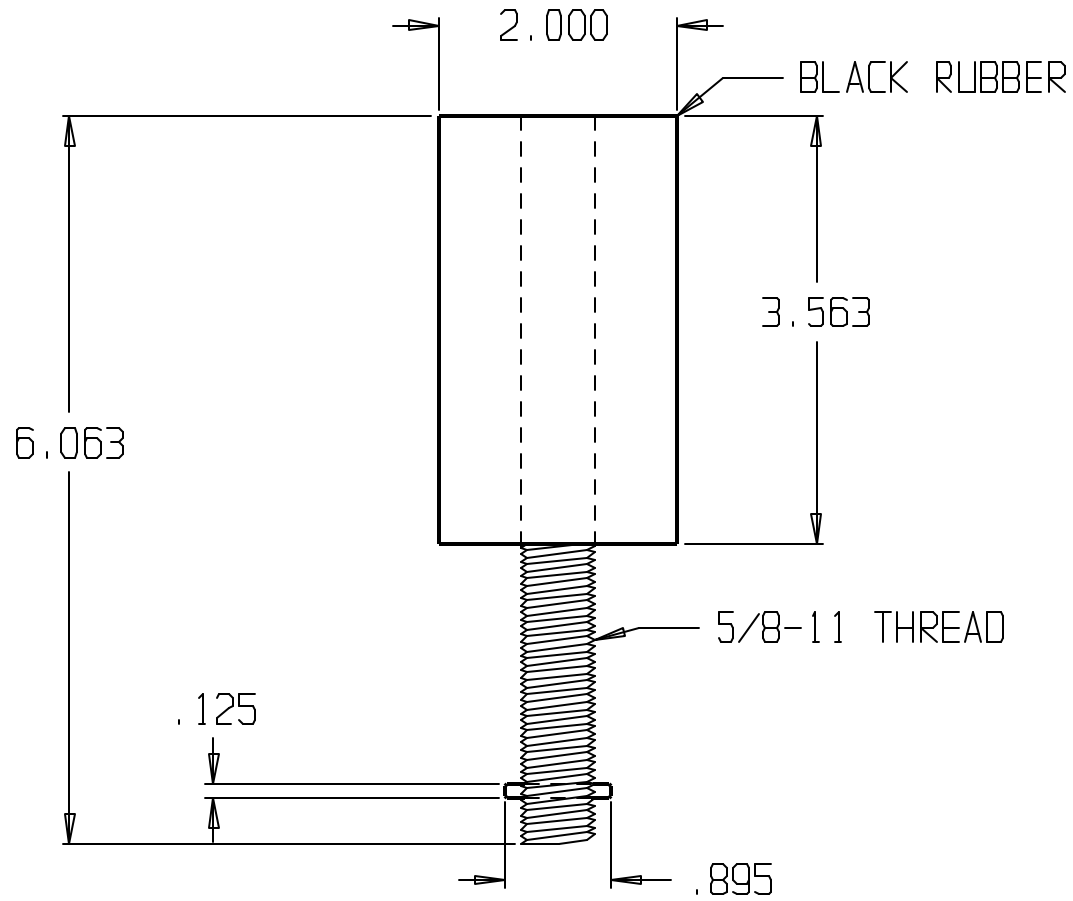


REVISIONS				
ZONE	REV	FINISHES:	DATE	APPROVED
		BLACK		



DON-JO MFG. INC.

DESIGNER

APPROVED

SIZE	DATE:	PART NO.	REV
A	3/15/04	#1463	
SCALE	RELEASE DATE	WEIGHT	SHEET