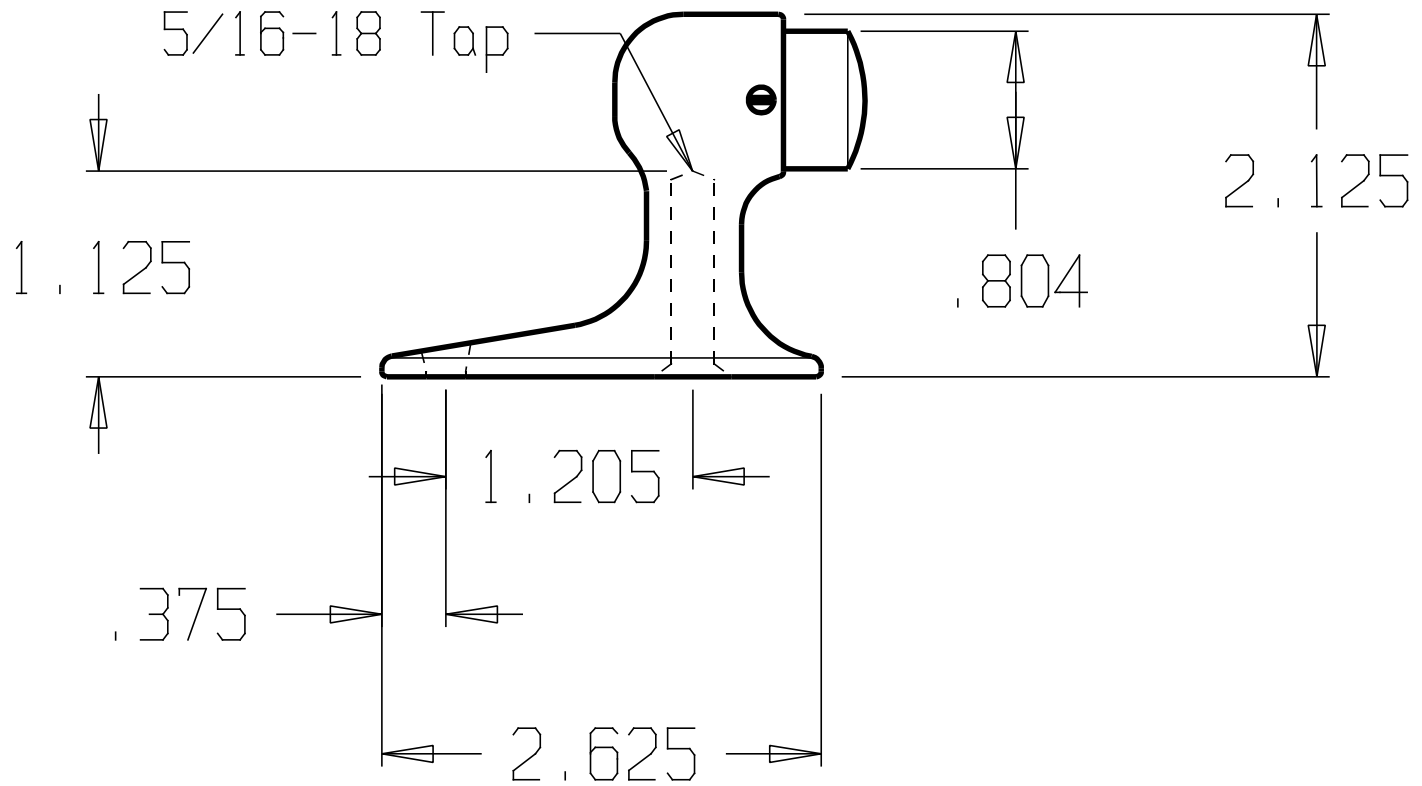


REVISIONS				
ZONE	REV	FINISHES:	DATE	APPROVED
		605, 613, 619, 620, 626		



DON-JO MFG. INC.		SIZE	DATE:	PART NO.	REV
DESIGNER		A	3/11/04	#1450	
APPROVED		SCALE	RELEASE DATE	WEIGHT	SHEET