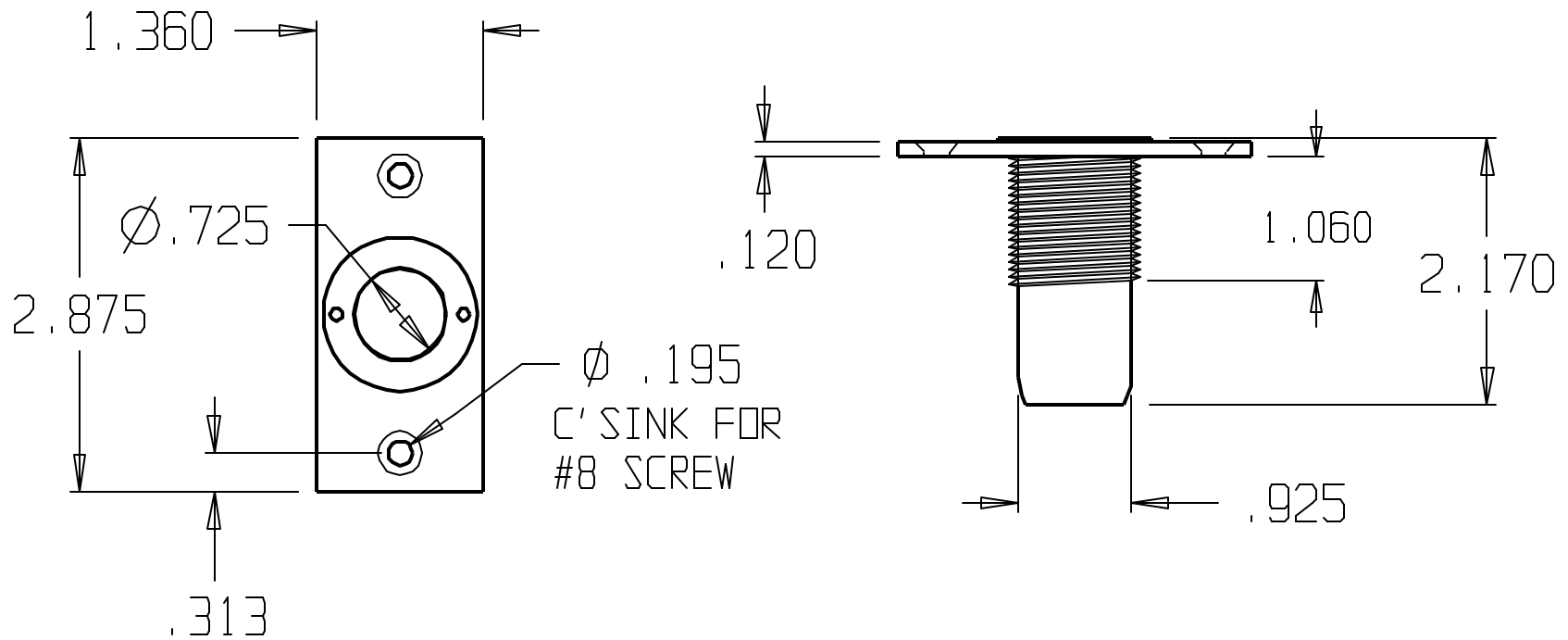


REVISIONS			
ZONE	REV	FINISHES:	DATE
		605,613,626	
		APPROVED	



DON-JO MFG. INC.

DESIGNER	DATE:	PART NO.	REV
APPROVED	SCALE	RELEASE DATE	WEIGHT

SIZE	DATE:	PART NO.	REV
A		#1570	
SCALE	RELEASE DATE	WEIGHT	SHEET