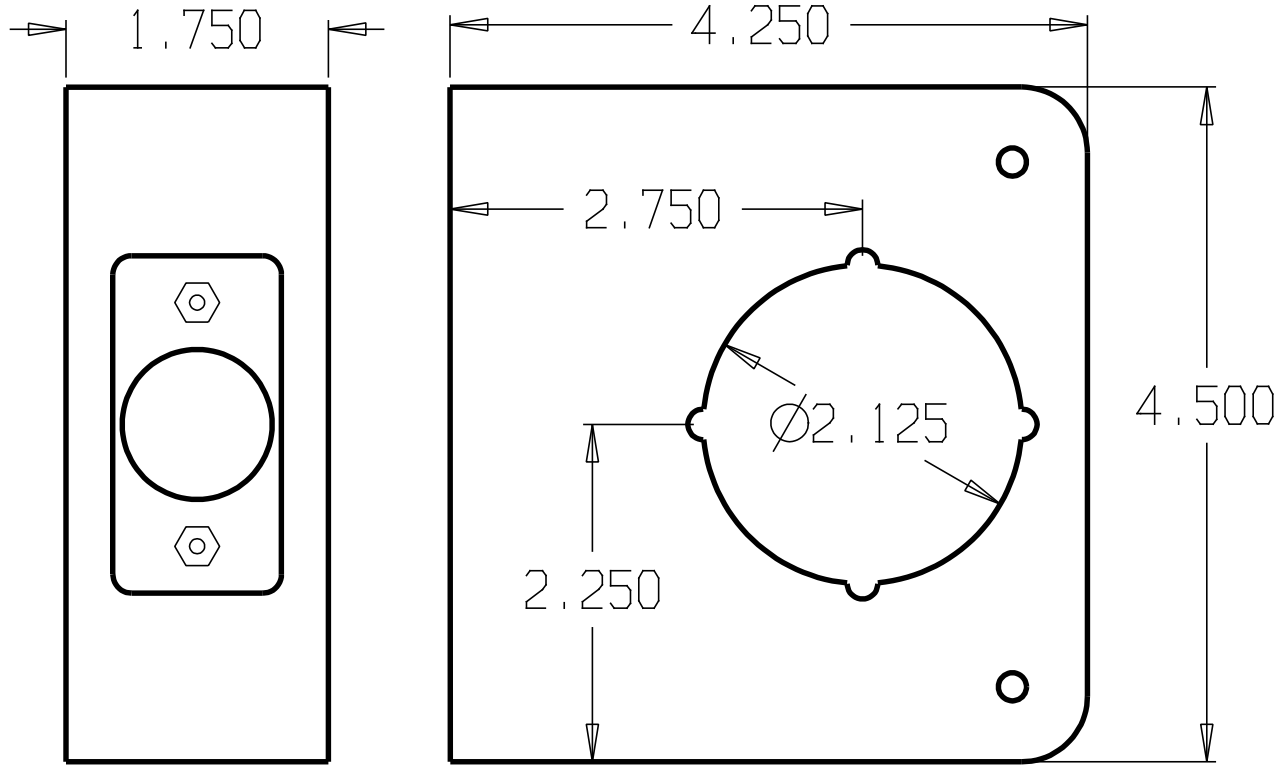


REVISIONS				
ZONE	REV	FINISHES:	DATE	APPROVED
		PB, AB, BZ, 10B & S		



DON-JO MFG. INC.		SIZE	DATE:	PART NO.	REV
DESIGNER		A	4/28/04	81-CW	
APPROVED		SCALE	RELEASE DATE	WEIGHT	SHEET